


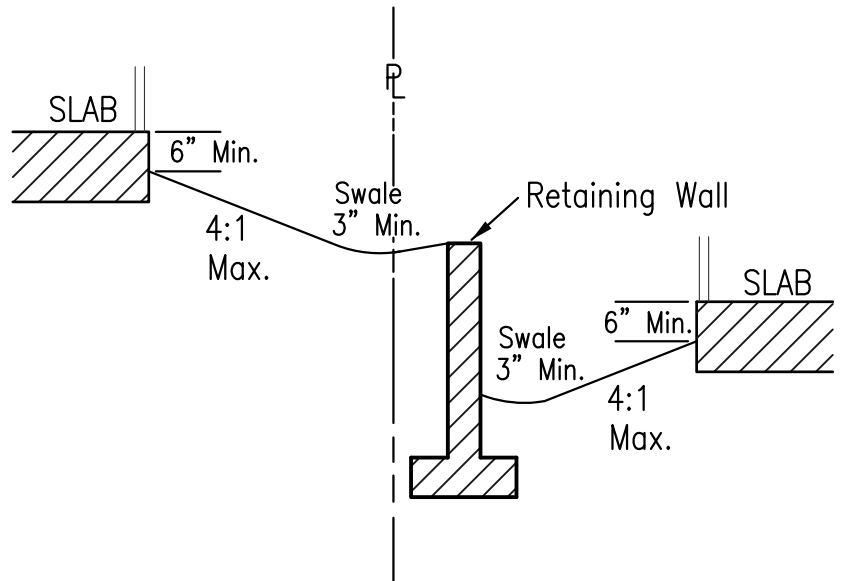
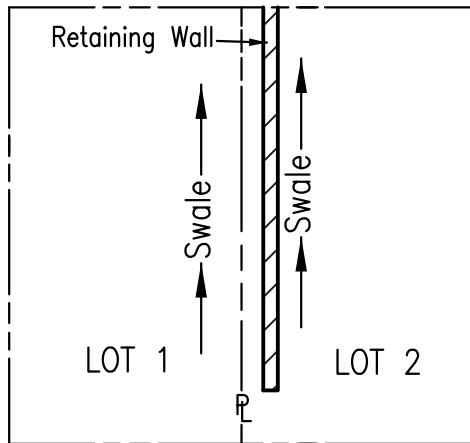
SIGN FRAME ELEVATION

SIGN PANEL 3/4" EXTERIOR PLYWOOD
PAINT AS SHOWN ON DETAIL ABOVE

FRAME 2"x4" STOCK FRAME TO BE
PAINTED WHITE

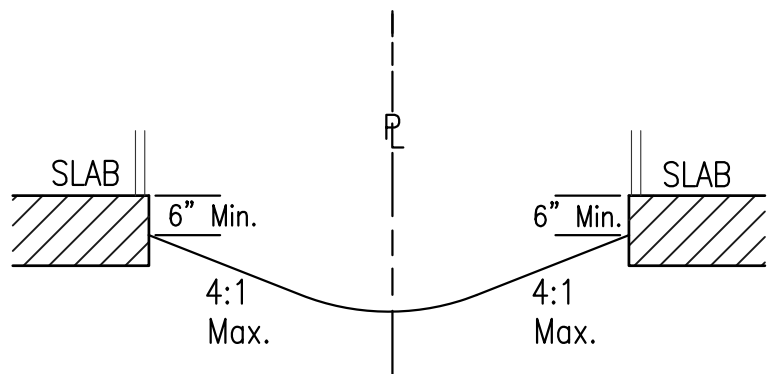
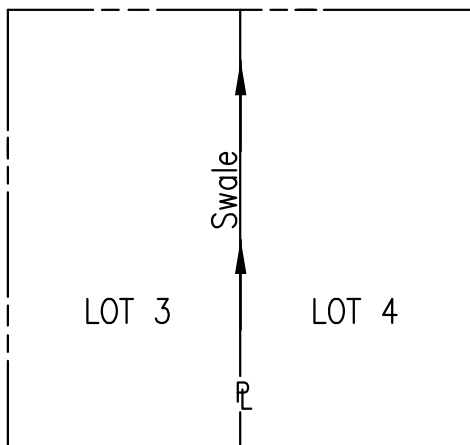
ALL PAINT TO BE "EXTERIOR GRADE"

MISCELLANEOUS DETAILS	CITY OF ROCKWALL		
CONSTRUCTION SIGN DETAIL		DATE AUG. '15	DRAWING NO. R-7010



NOTE:

No Retaining Walls including the footing shall be placed in the right-of-way, easements, or overlapping property lines.



NO WALL

MISCELLANEOUS DETAILS

CITY OF ROCKWALL

RESIDENTIAL LOT
TYPICAL WALL & SWALE DETAIL



DATE
AUG. '15

DRAWING NO.
R-7020