

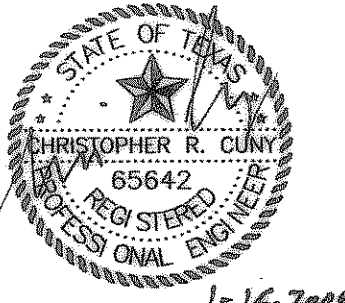
Revision	Date	Description
1	8/28/08	Paving Alignment/grades

Owner:
Whittle Development Co.
PO Box 369 • Rockwall, Texas • 75087
Phone: 972-771-5253

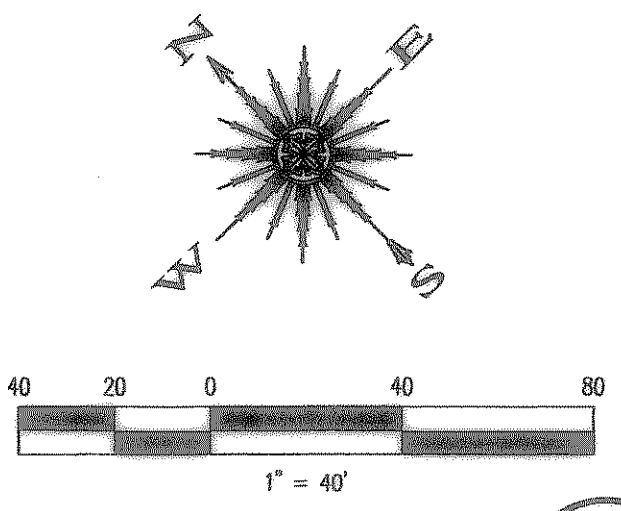
ALLIANCE ADDITION

F.C. CUNY CORPORATION
#2 Horizon Court • Ste. 500 • Heath, Texas 75032
Phone: 469-402-7700
Fax: 469-402-0700

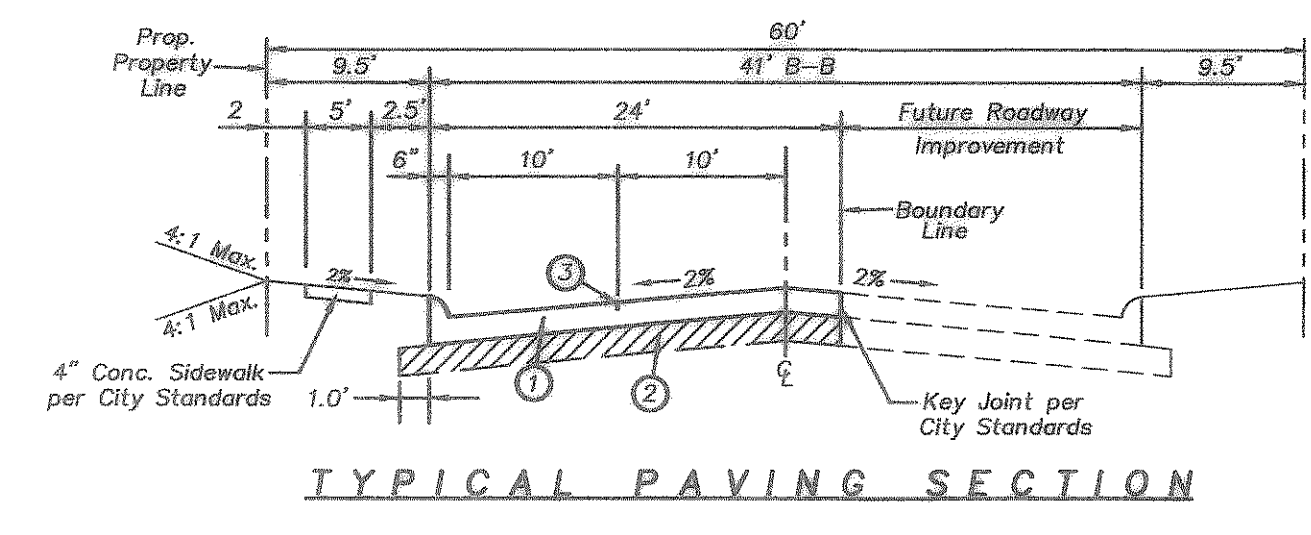
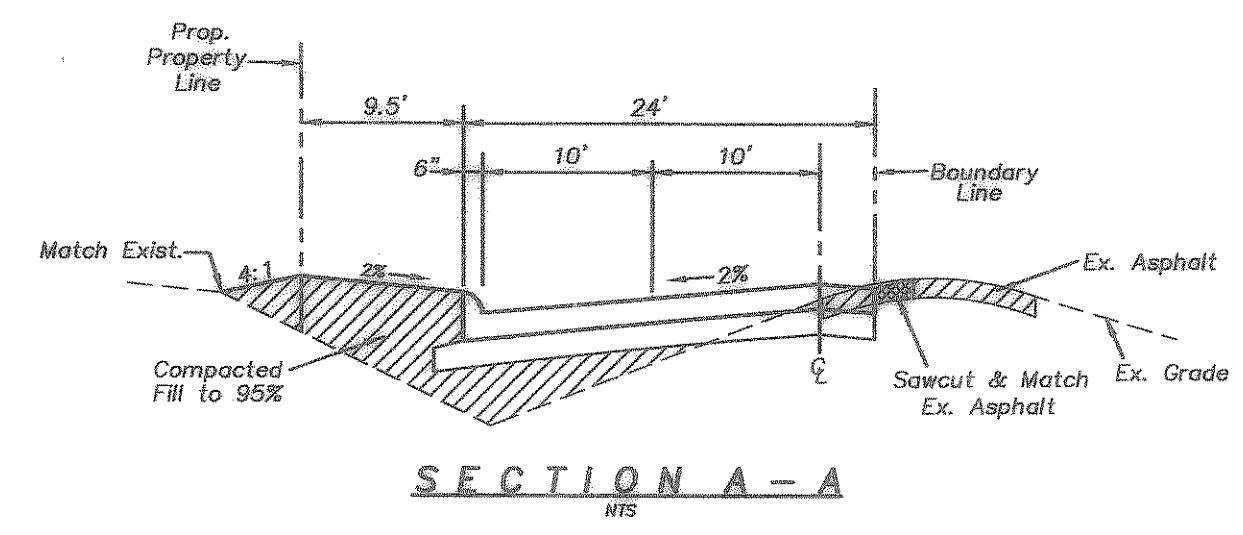
THE SEAL APPEARING ON THIS DOCUMENT WAS AUTHORIZED BY CHRISTOPHER R. CUNY, P.E. 65642



Drawn By: F.C. CUNY	Checked By: F.C. CUNY
Date: 1-09	Project No.: 07-003
Sheet Title: Jeff Boyd Rd. Paving Plan and Profile	
Scale: 1" = 40'	Sheet No.: 7 of 15



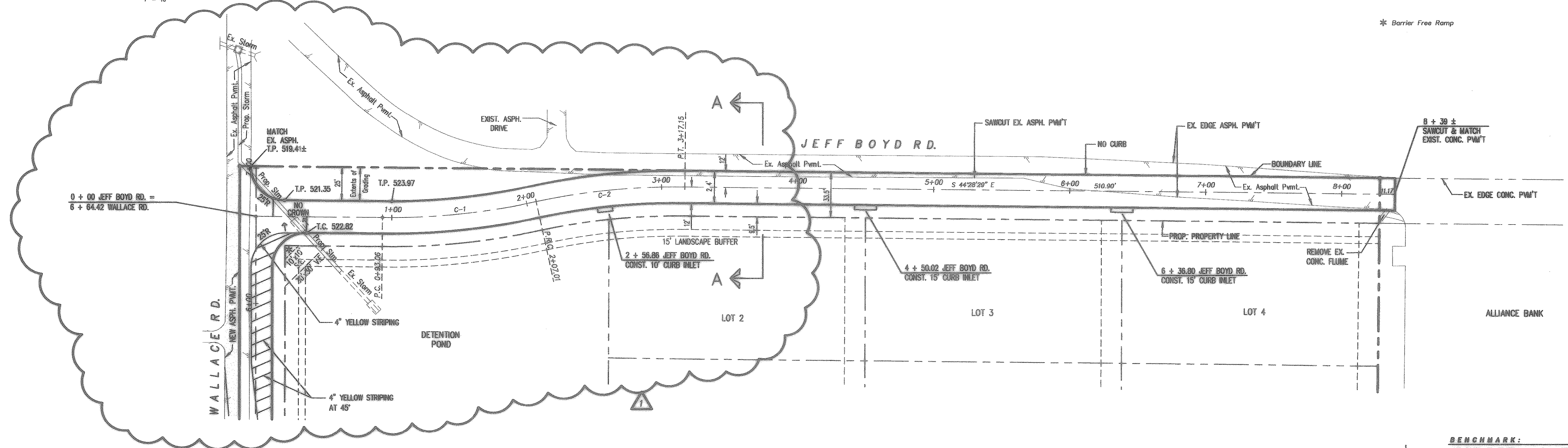
CAUTION!!
EXISTING UTILITIES AND UNDERGROUND FACILITIES INDICATED ON THESE PLANS HAVE BEEN LOCATED FROM REFERENCE INFORMATION. IT SHALL BE THE RESPONSIBILITY OF THE CONTRACTOR TO VERIFY BOTH HORIZONTALLY AND VERTICALLY THE LOCATION OF ALL EXISTING UTILITIES AND UNDERGROUND FACILITIES PRIOR TO CONSTRUCTION, TO TAKE NECESSARY PRECAUTIONS IN ORDER TO PROTECT ALL FACILITIES ENCOUNTERED. THE CONTRACTOR SHALL PRESERVE AND PROTECT ALL EXISTING UTILITIES FROM DAMAGE DURING CONSTRUCTION.



- 8"-3600 PSI strength concrete in 28 days with a cement content of not less than 6 sacks per c.y. (6.5 sacks for hand placement) Pavement shall be reinforced with No. 3 bars at 24" centers both directions.
- 6" lime stabilization. The minimum lime content shall be 6% of the dry weight of the material (at least 27 lbs. per square yard). Subgrade shall be compacted to 95% standard density.
- ③ indicates sawed longitudinal contraction or construction joint.

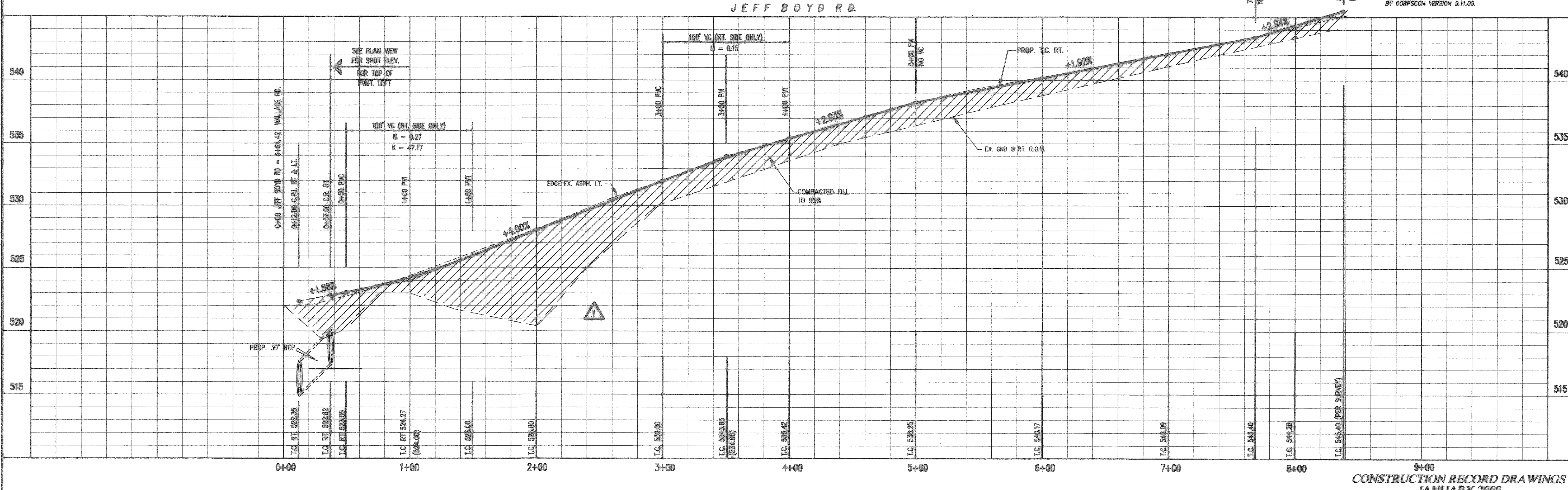
Note:
1. All construction joints & rebar to be in conformance with the City of Rockwall Specifications and Standards.
2. All intersections shall have laydown curbs to facilitate the construction of barrier free ramps.

* Barrier Free Ramp



CURVE	RADIUS	DELTA	TANGENT	LENGTH	CHORD	BEARING
C-1	508.50'	12°50'21"	57.21'	113.95'	113.71'	N 80°53'39" W
C-2	491.50'	12°50'22"	55.30'	110.14'	109.91'	S 80°53'39" E

BENCHMARK:
THE BASIS OF BEARING AND ELEVATION DATUM FOR THIS SURVEY IS THE TEXAS STATE PLANE, NORTH CENTRAL ZONE, GEODETIC BEARING ESTABLISHED BY GPS MEASUREMENTS TAKEN FROM BASE STATIONS "DENTON CORS ARP", "ARLINGTON RRP2 CORS ARP", AND "SAGINAW TEXAS CORS ARP". GPS MEASUREMENTS WERE ALSO TAKEN ON SITE ON MARCH 27, 2007. CONVERGENCE ANGLE AT "DENTON CORS ARP" IS 00 DEGREES 43 MINUTES 45.545 SECONDS, AS COMPUTED BY CORPSCON VERSION 5.11.05.



CONSTRUCTION RECORD DRAWINGS
JANUARY 2009

Z:\Projects\5-Residential\Whittle-Horizon\fcc design\hor-pav4.dwg Mon Jan 12 11:03:10 2009