

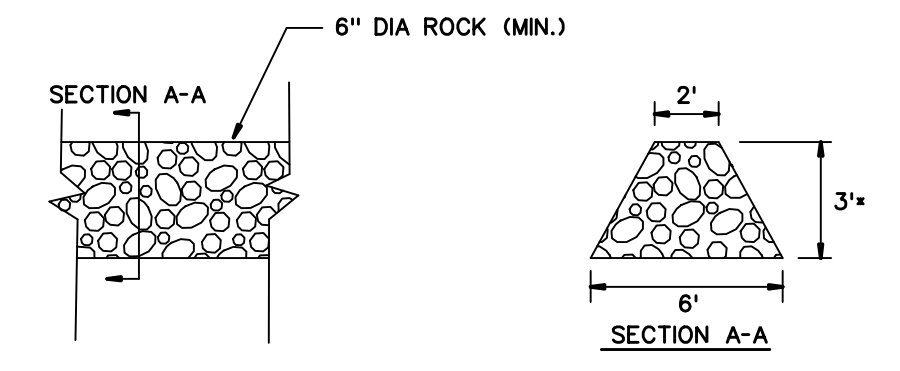
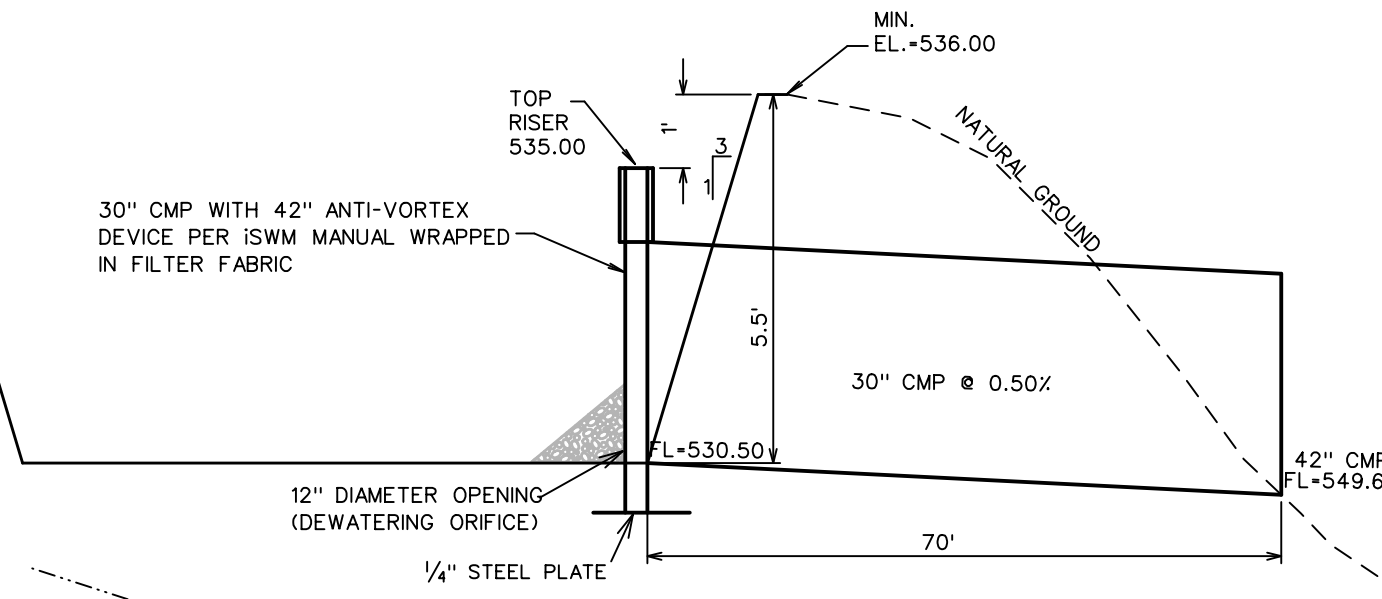
NORTH SEDIMENT BASIN CALCULATIONS

N.T.S.
 VOLUME REQUIRED = 3600 CF/ACRE
 = 20.1 ACRES * 3600 CF/ACRE = 72,360 CF REQUIRED
 VOLUME PROVIDED = 72,360 CF AT 534.61 ELEVATION
 OUTFLOW = AREA * 1(2) * C
 = 20.1 * 3.6 * 0.50 = 36.1 CFS
 30" PIPE CAPACITY WITH 3' HEAD = 40.9 CFS
 DEWATERING ORIFICE = 12" DIAMETER WITH AVERAGE H=2.0'
 AVERAGE OUTFLOW=5.3 CFS
 TIME TO DRAIN 72,360 CF = 3.8 HOURS

SCALE: 1" = 100'

LEGEND

- SILT FENCE (BEFORE CONSTRUCTION)
- INLET PROTECTION
- ROCK CHECK DAM



ROCK DAM

N.T.S.
 *ROCK DAM SHALL NOT BE BUILT IN SUCH A MANNER THAT RUNOFF IS DIRECTED ONTO THE STREET PAVEMENT BEFORE IT GOES OVER THE TOP OF THE ROCK DAM

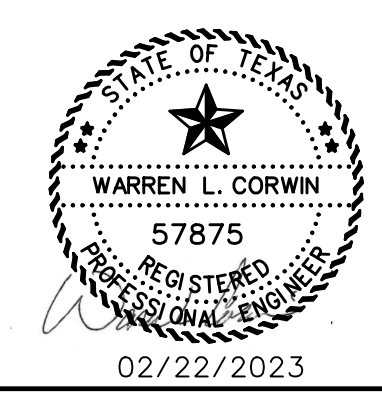
CORWIN ENGINEERING, INC.
 200 W. BELMONT, SUITE E
 ALLEN, TEXAS 75013 (972)396-1200
 TBPE FIRM #5951

DEVELOPMENT PLANS FOR
QUAIL HOLLOW
 PHASE I
 ROCKWALL, TEXAS

EROSION CONTROL PLAN

DRAWN BY	DESIGNED BY	CHECKED BY	SHEET NO.
JOB NUMBER	DATE	SCALE:	37
22036	FEBRUARY 2023	1"=100'	

RECORD DRAWINGS
 JANUARY 2024
 INFORMATION PROVIDED
 BY CONTRACTORS
 (NOT FIELD VERIFIED)



STONE CREEK
 PHASE X
 DOC. NO. 2020000028492

STONE CREEK
 PHASE IX
 DOC. NO. 2019000004513

STONE CREEK
 PHASE VIII
 DOC. NO. 2019000004513

