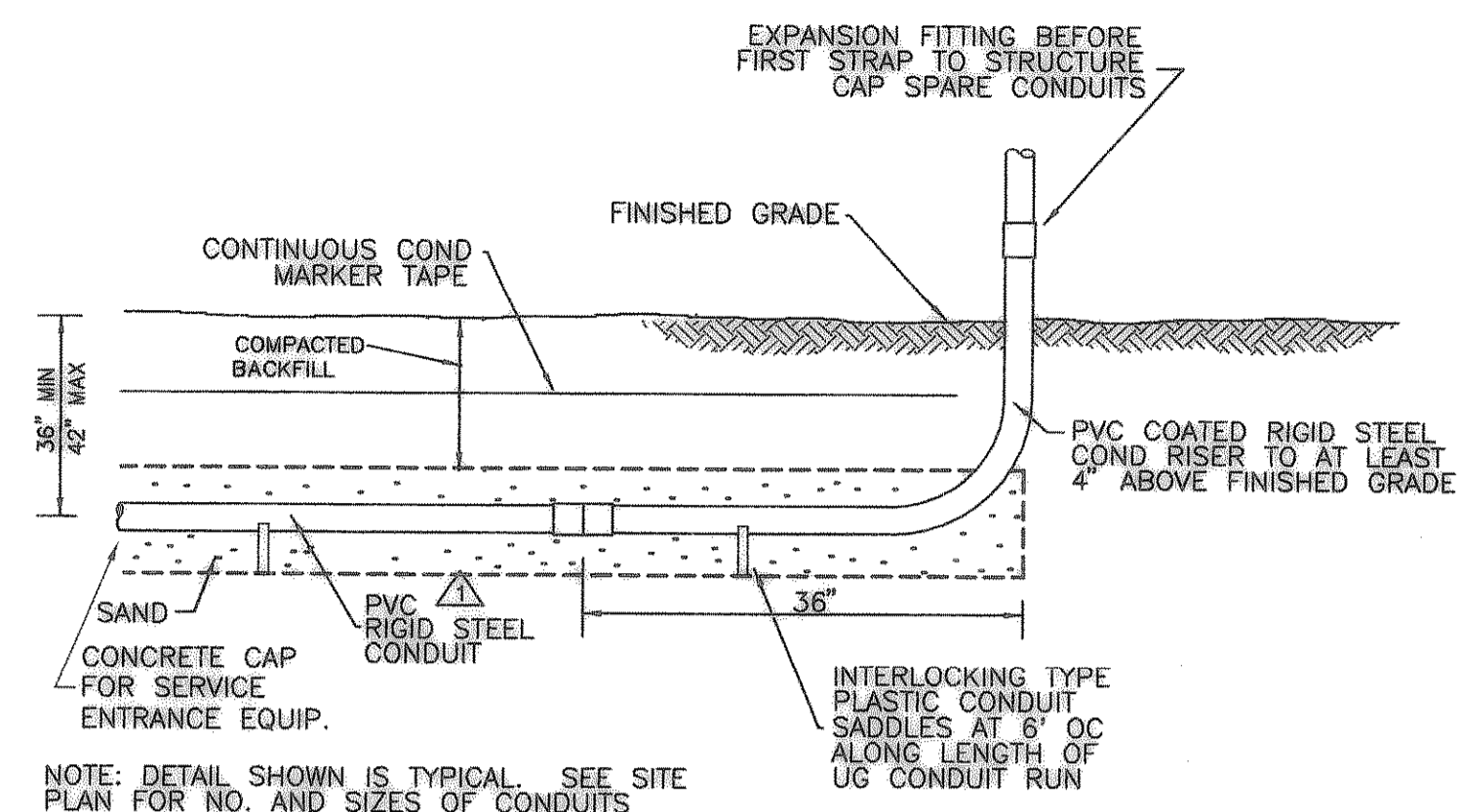
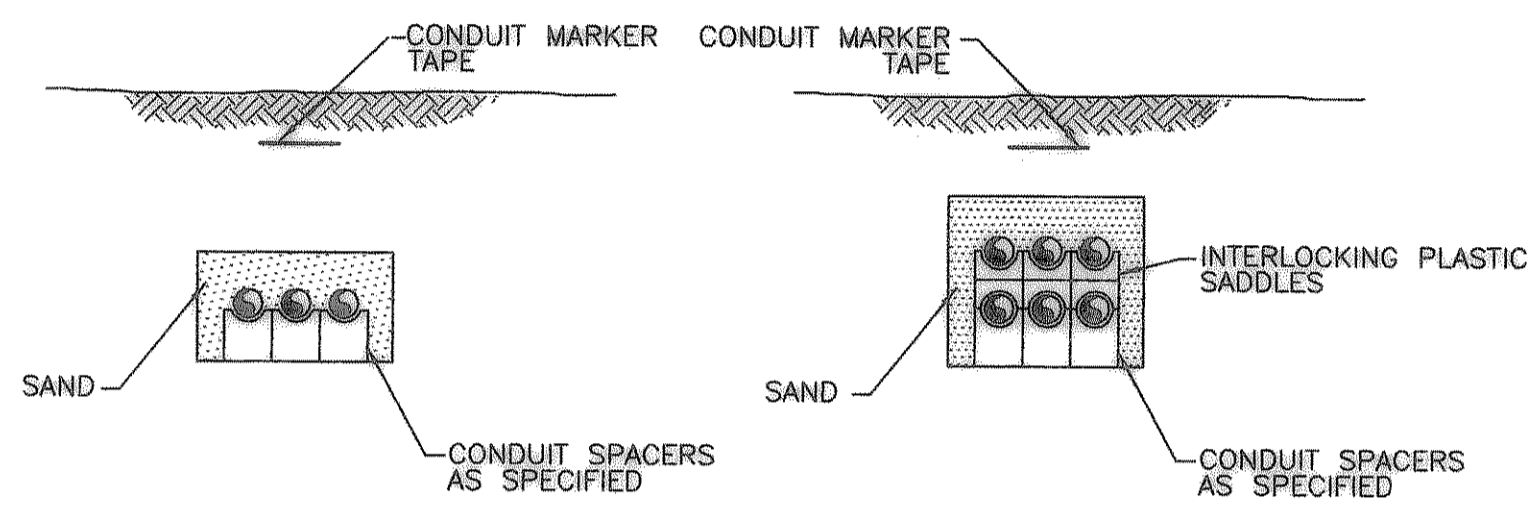


NOTE: REQUIRED AT ALL RTU'S.

1 SURGE ARRESTOR CONNECTION DETAIL
NO SCALE

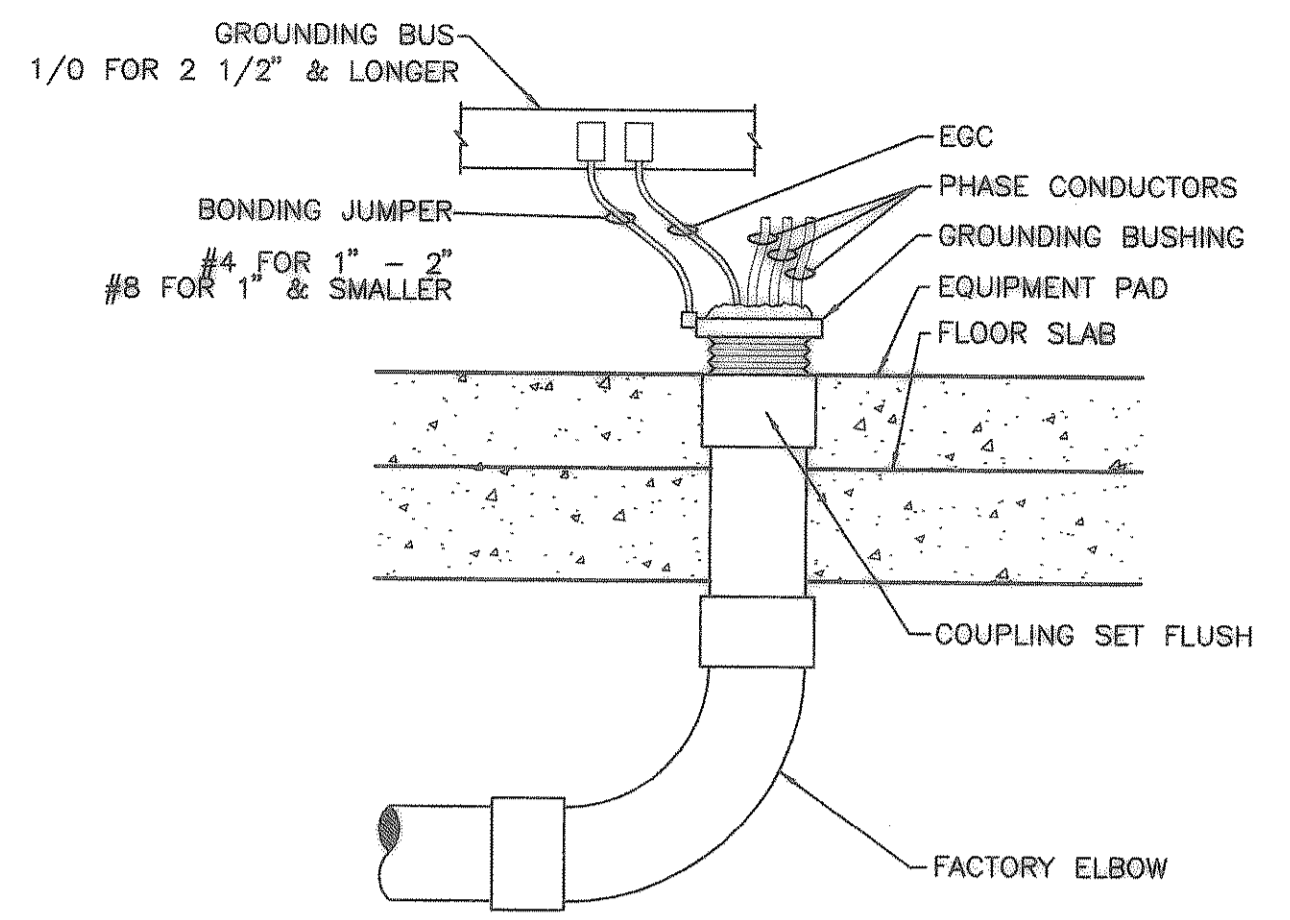


LONGITUDINAL SECTION

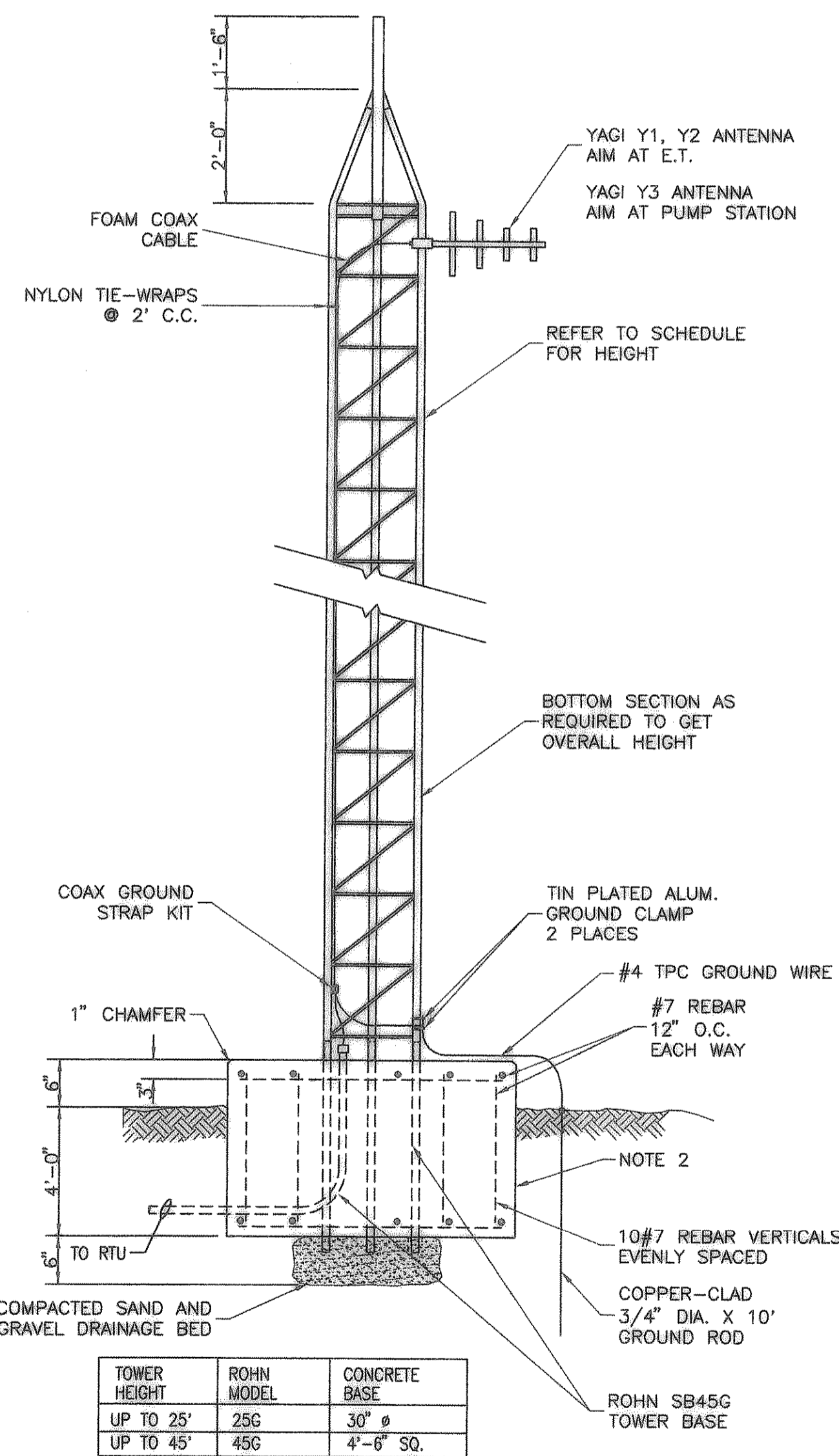


TRANSVERSE SECTION

4 UNDERGROUND CONDUIT RUN
NO SCALE

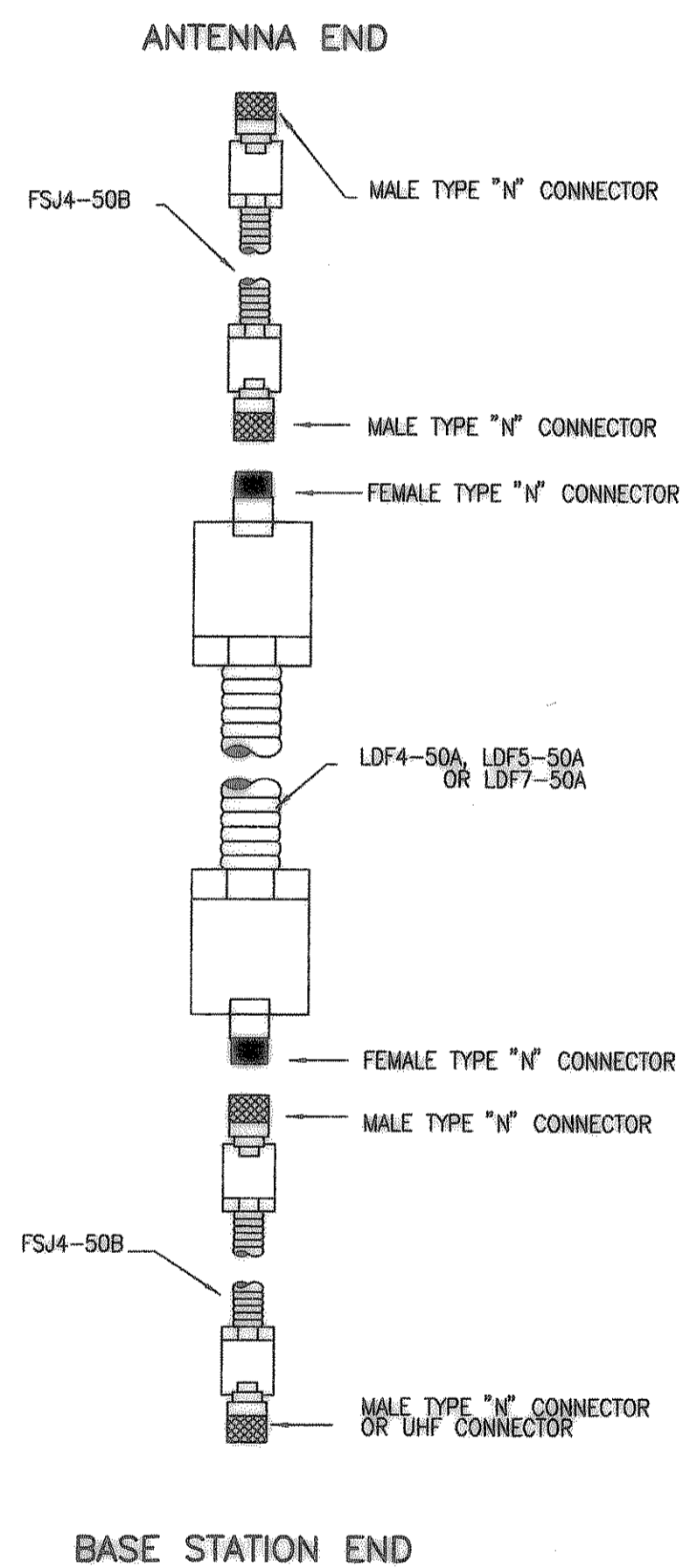


7 UNDER SLAB WIRING RUNS
NO SCALE

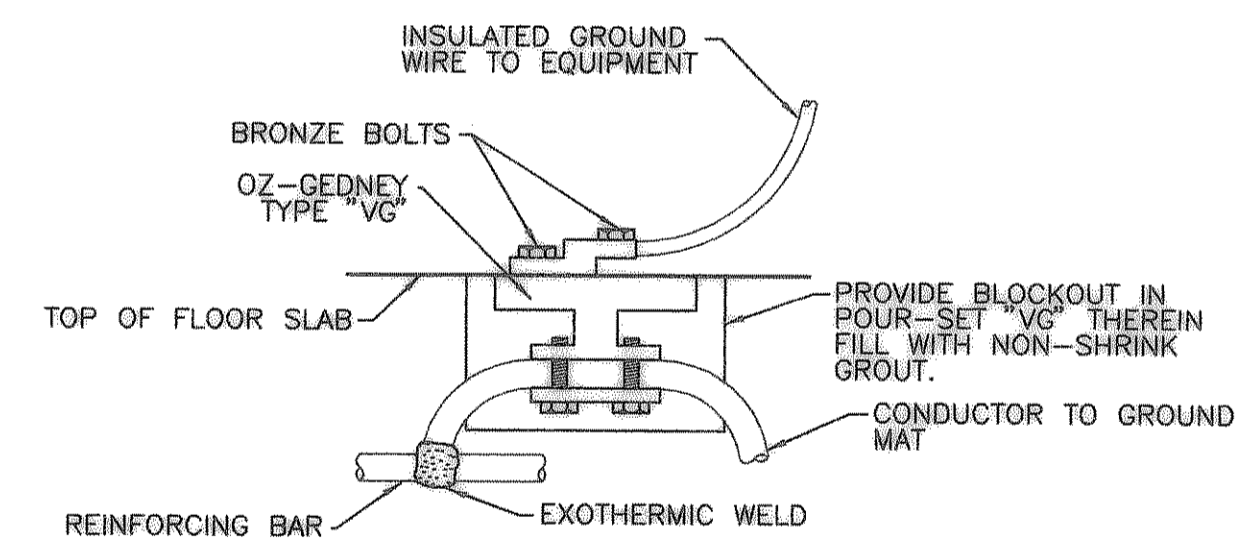


- NOTES:
1. ALL CONDUIT BENDS SHALL BE 24" RADIUS.
 2. ANTENNA BASE SHALL BE CLASS A 3000 PSI CONCRETE AND CONSTRUCTED AS SHOWN AS A MINIMUM. SEE TABLE FOR DIMENSION.
 3. ANTENNA CABLE CONDUIT SHALL BE 2" WITH 36" RADIUS BENDS.
 4. ALL CONDUIT BENDS SHALL BE IN PLASTIC COATED RIGID STEEL CONDUIT.
 4. INSTALL TWO INDEPENDENT ANTENNA ASSEMBLIES (Y2 AND Y3) AT CITY HALL MAST

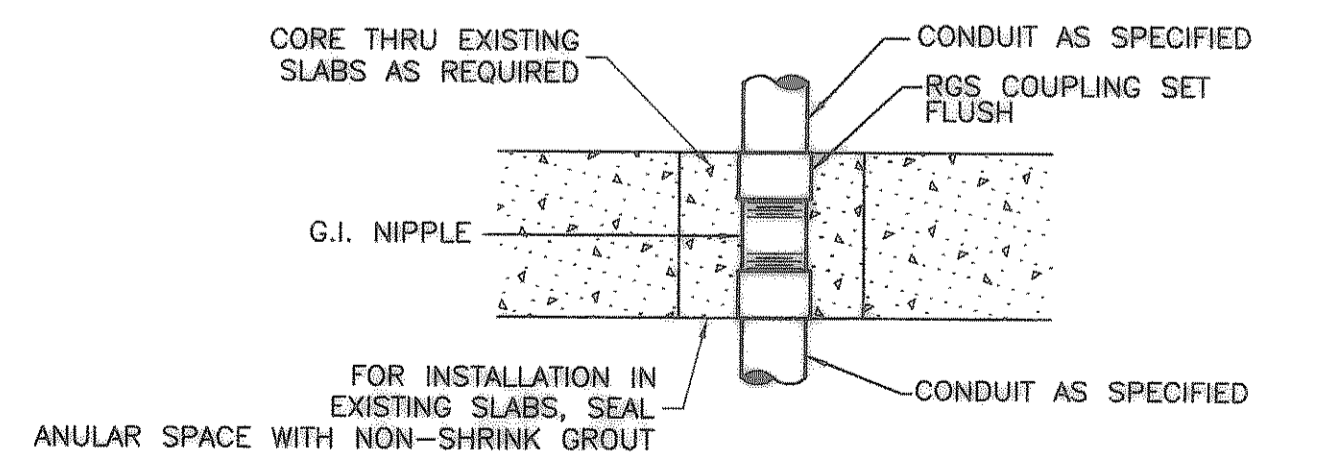
3 ANTENNA MAST DETAIL (PUMP STATION AND CITY HALL)
NO SCALE



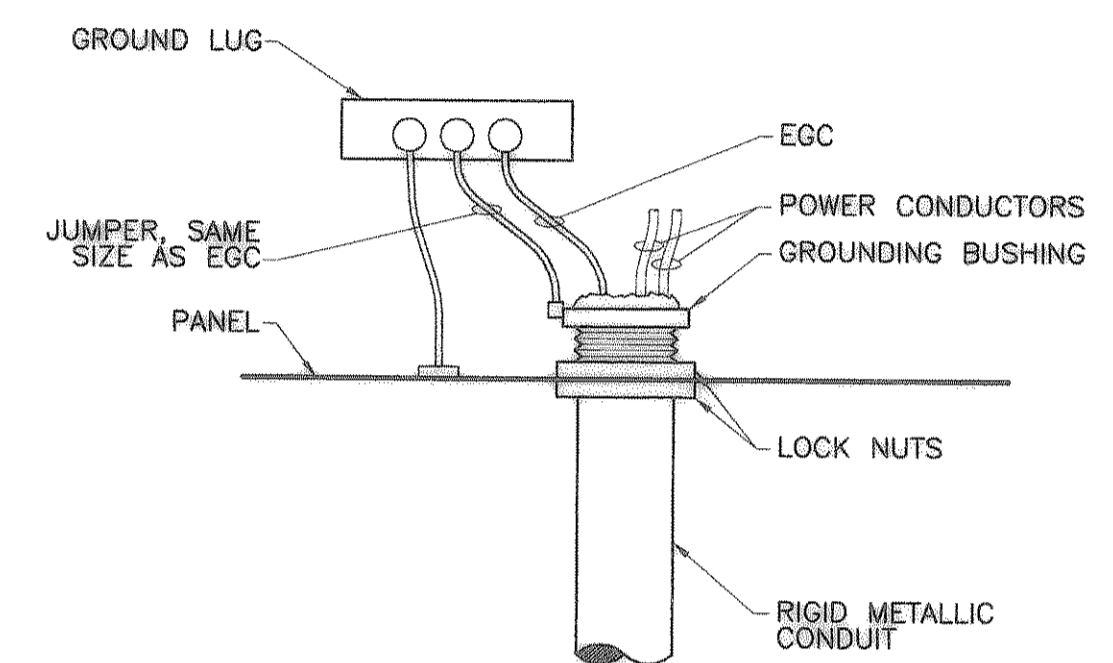
2 ANTENNA WIRE CONNECTION DETAIL
NO SCALE



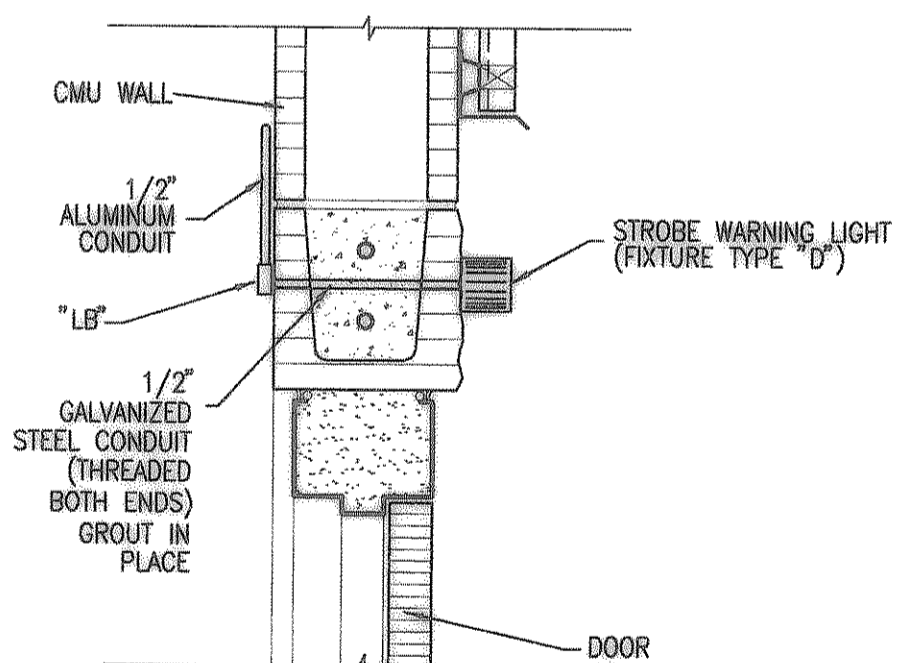
5 FLOOR GROUNDING CONNECTION DETAIL
NO SCALE



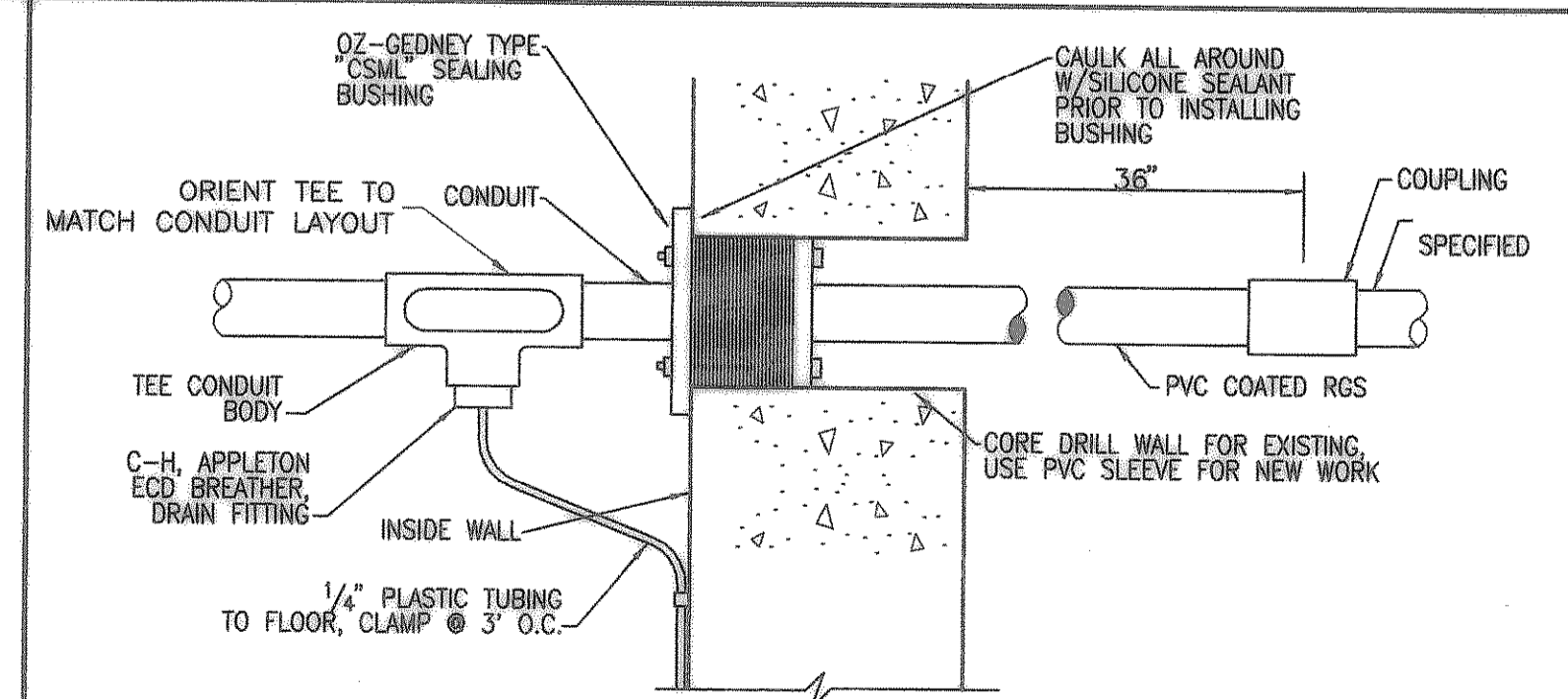
6 TYPICAL THROUGH SLAB CONDUIT PENETRATION
NO SCALE



8 PANEL WIRING RUNS
NO SCALE



9 STROBE WARNING LIGHT MOUNTING DETAIL
NO SCALE



10 CONDUIT PENETRATION - BELOW GRADE
NO SCALE

RECORD DRAWING
(ALL REVISIONS ARE BASED UPON CITY AND CONTRACTOR NOTES AND COMMENTS)

| NO. | DATE | REVISION | BY |
|-----|----------|----------------|----|
| 1 | 10/31/04 | ADDENDUM NO. 1 | |

Freeman-Millican, Inc.
ENGINEERS - ARCHITECTS - PLANNERS
9800 FOREST LN., DALLAS, TX. 214.903.0565

CITY OF HEATH
PUMP STATION NO. 1
ELECTRICAL DETAILS



THE SEAL APPEARING ON THIS DOCUMENT WAS AUTHORIZED BY JOHN D. GATIS, A.L.A. ON 01.18.2005.

SCALE: AS SHOWN

IF SHEET IS IN 11"x17" FORMAT, DRAWINGS ARE AT 1/2 OF NOTED SCALE.

PROJECT No.: 02150
DATE: JAN. 2005
DESIGNED: D.L.
DRAWN: FMI
CHECKED: J.T.M.

SHEET
E10
TOTAL SHEETS: 35