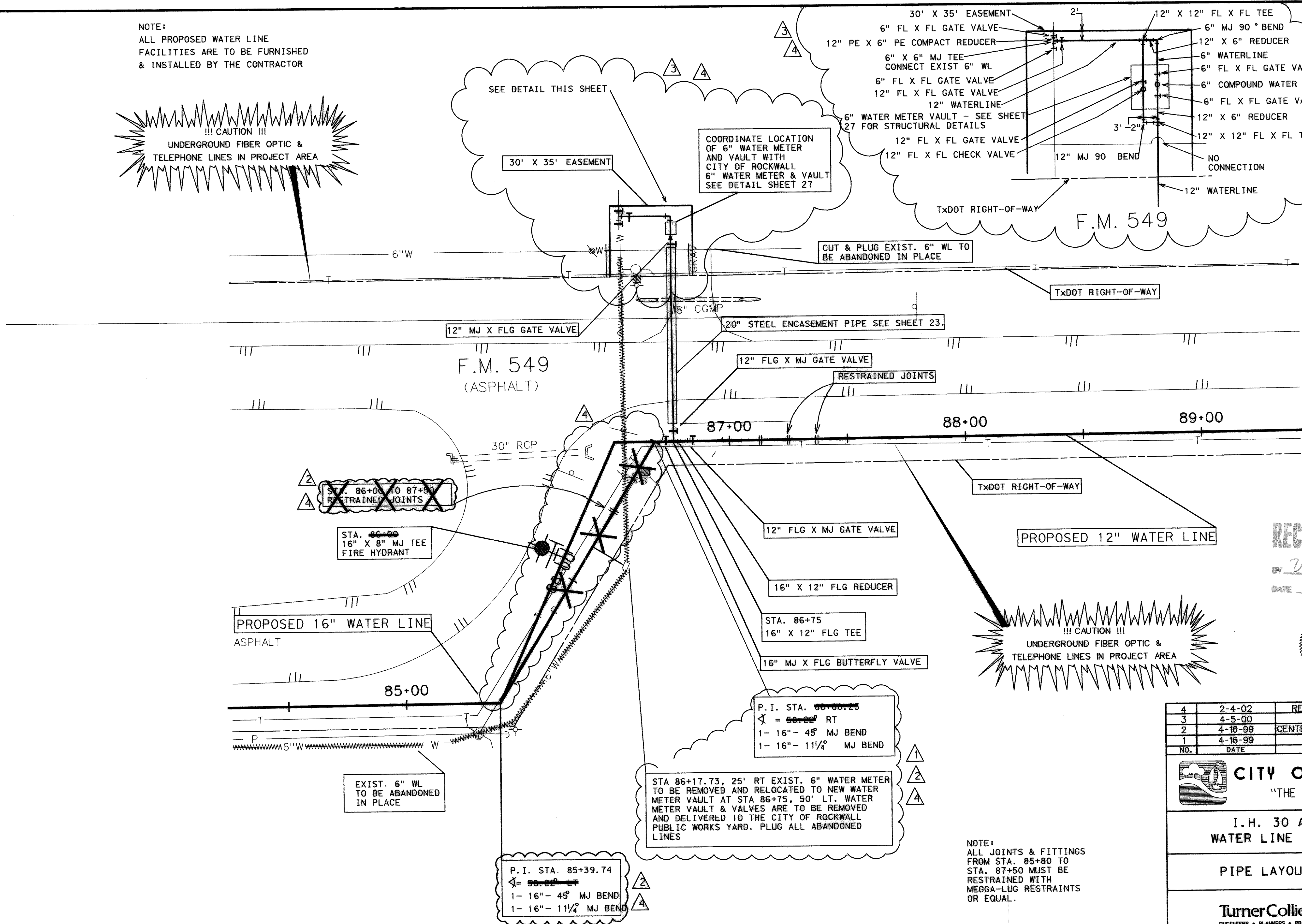
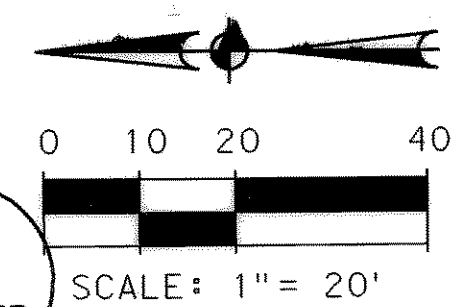
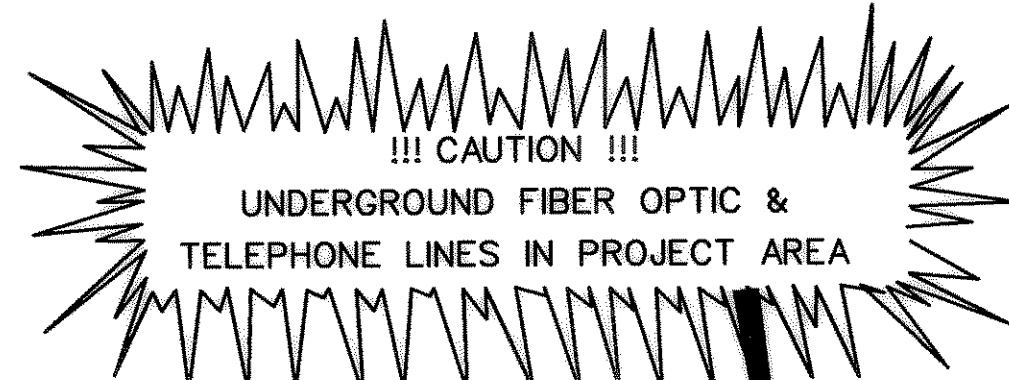


NOTE:
ALL PROPOSED WATER LINE
FACILITIES ARE TO BE FURNISHED
& INSTALLED BY THE CONTRACTOR



STA. 86+00 TO 87+50
RESTRAINED JOINTS

STA. 86+00
16" X 8" MJ TEE
FIRE HYDRANT

PROPOSED 16" WATER LINE
ASPHALT

EXIST. 6" WL
TO BE ABANDONED
IN PLACE

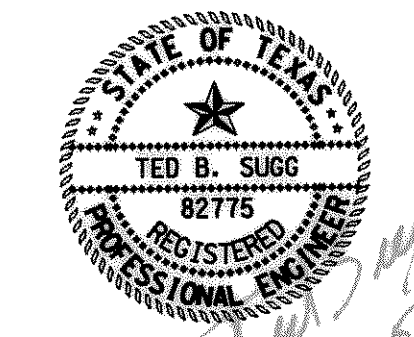
P. I. STA. 85+39.74
∠ = 50.22° LT
1- 16" - 45° MJ BEND
1- 16" - 11 1/4° MJ BEND

STA 86+17.73, 25' RT EXIST. 6" WATER METER
TO BE REMOVED AND RELOCATED TO NEW WATER
METER VAULT AT STA 86+75, 50' LT. WATER
METER VAULT & VALVES ARE TO BE REMOVED
AND DELIVERED TO THE CITY OF ROCKWALL
PUBLIC WORKS YARD. PLUG ALL ABANDONED
LINES

P. I. STA. 86+86.25
∠ = 50.22° RT
1- 16" - 45° MJ BEND
1- 16" - 11 1/4° MJ BEND

NOTE:
ALL JOINTS & FITTINGS
FROM STA. 85+80 TO
STA. 87+50 MUST BE
RESTRAINED WITH
MEGGA-LUG RESTRAINTS
OR EQUAL.

RECORD DRAWING
BY *Vaniqua Lima*
DATE 3-6-02



4	2-4-02	RECORD DRAWING	TBS
3	4-5-00	WM LAYOUT	TBS
2	4-16-99	CENTERLINE STATIONING	TBS
1	4-16-99	REALIGNMENT	TBS
NO.	DATE	REVISION	APPROV

CITY OF ROCKWALL
"THE NEW HORIZON"

I. H. 30 AND FM 549
WATER LINE IMPROVEMENTS

PIPE LAYOUT STA. 86+75

TurnerCollie & Braden Inc.
ENGINEERS • PLANNERS • PROJECT MANAGERS

A103	Scale: 1" = 20'	Date	FEBRUARY, 1999
Designed	TBS	Checked	DWN
Drawn	JLC	Approved	RCR
		Job No.	15-98925-200
			PAGE 24 OF 33

PIPE LAYOUT
STA. 86+75

P:\ROCKWALL\1130\DRAWINGS\PIPE2_3.DGN