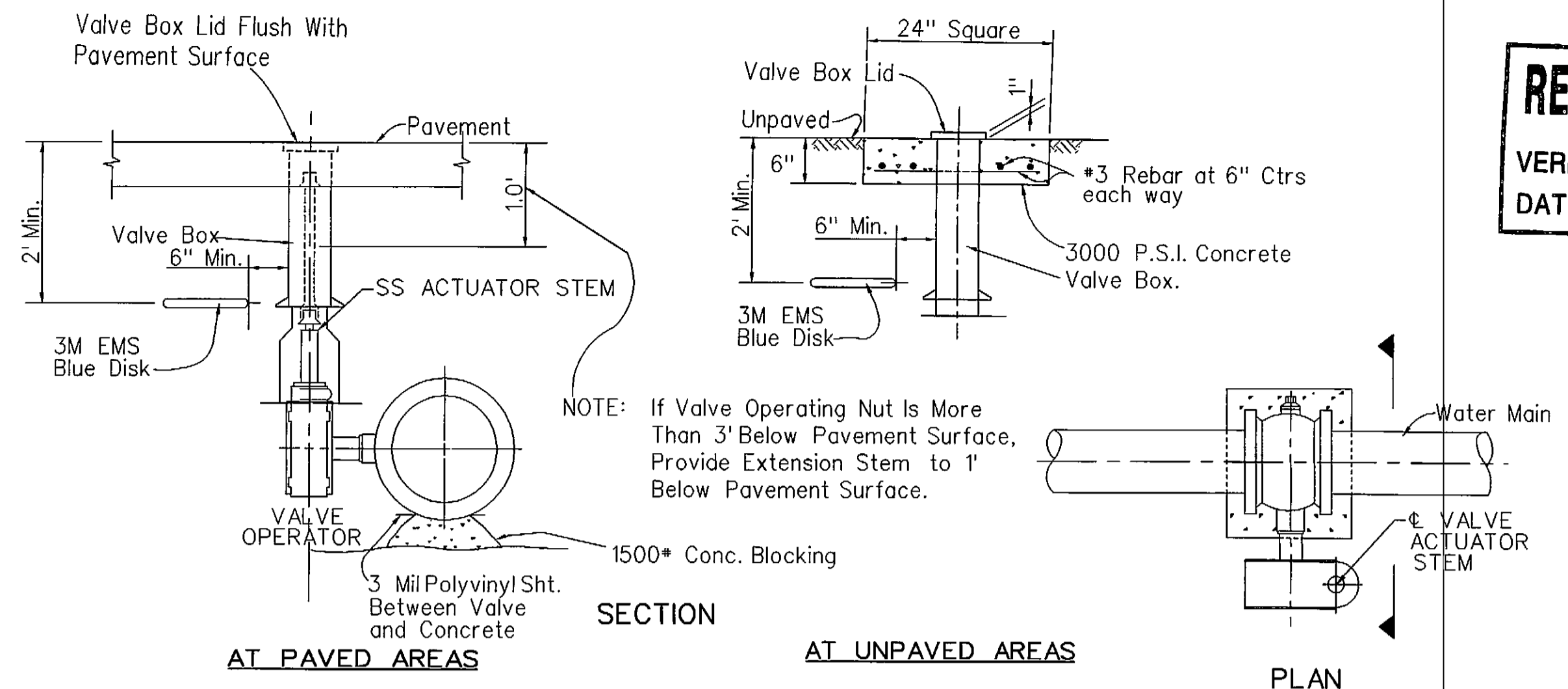
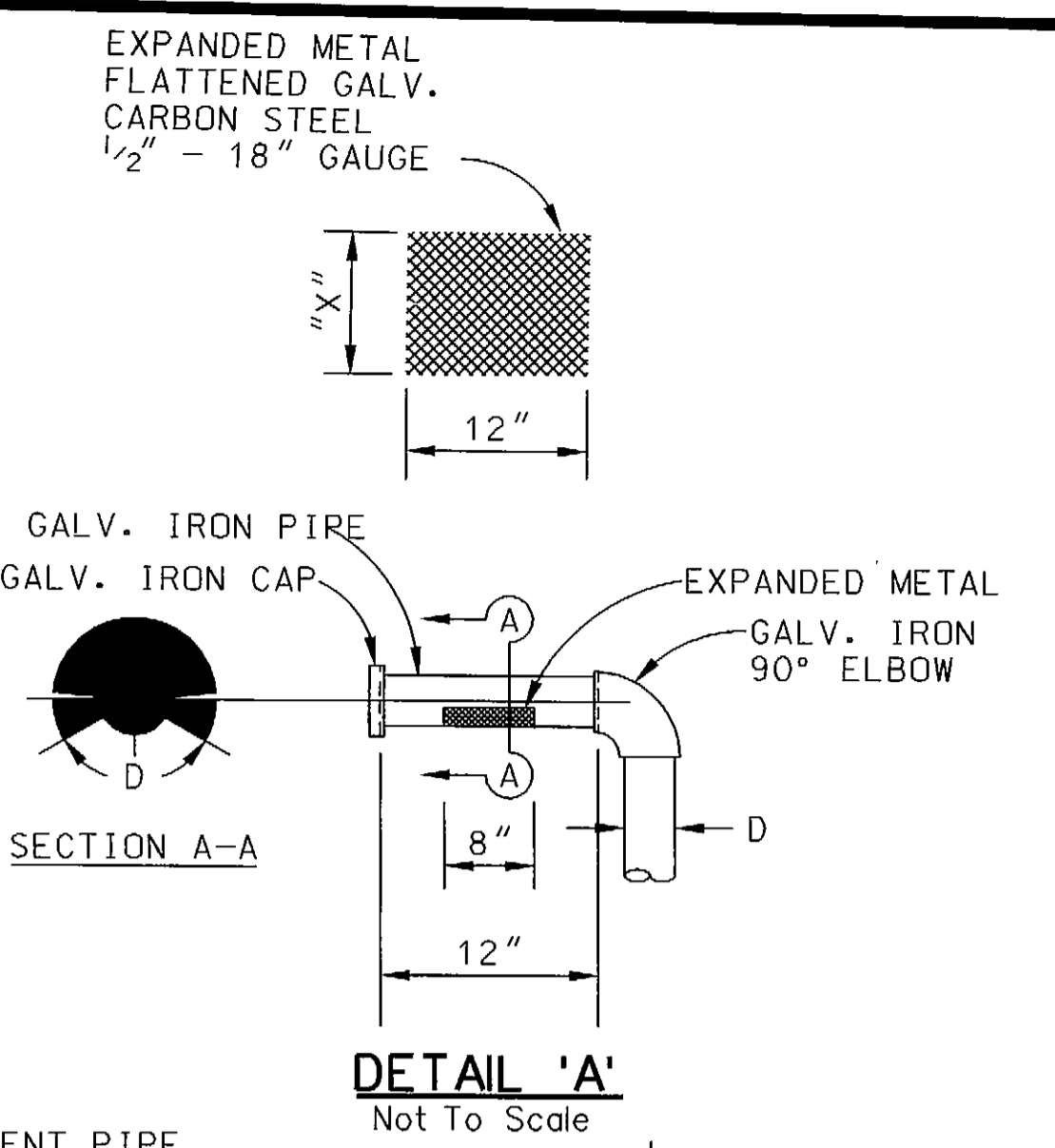


TYPICAL GATE VALVE AND BOX EXTENSION STEM DETAIL
Not To Scale

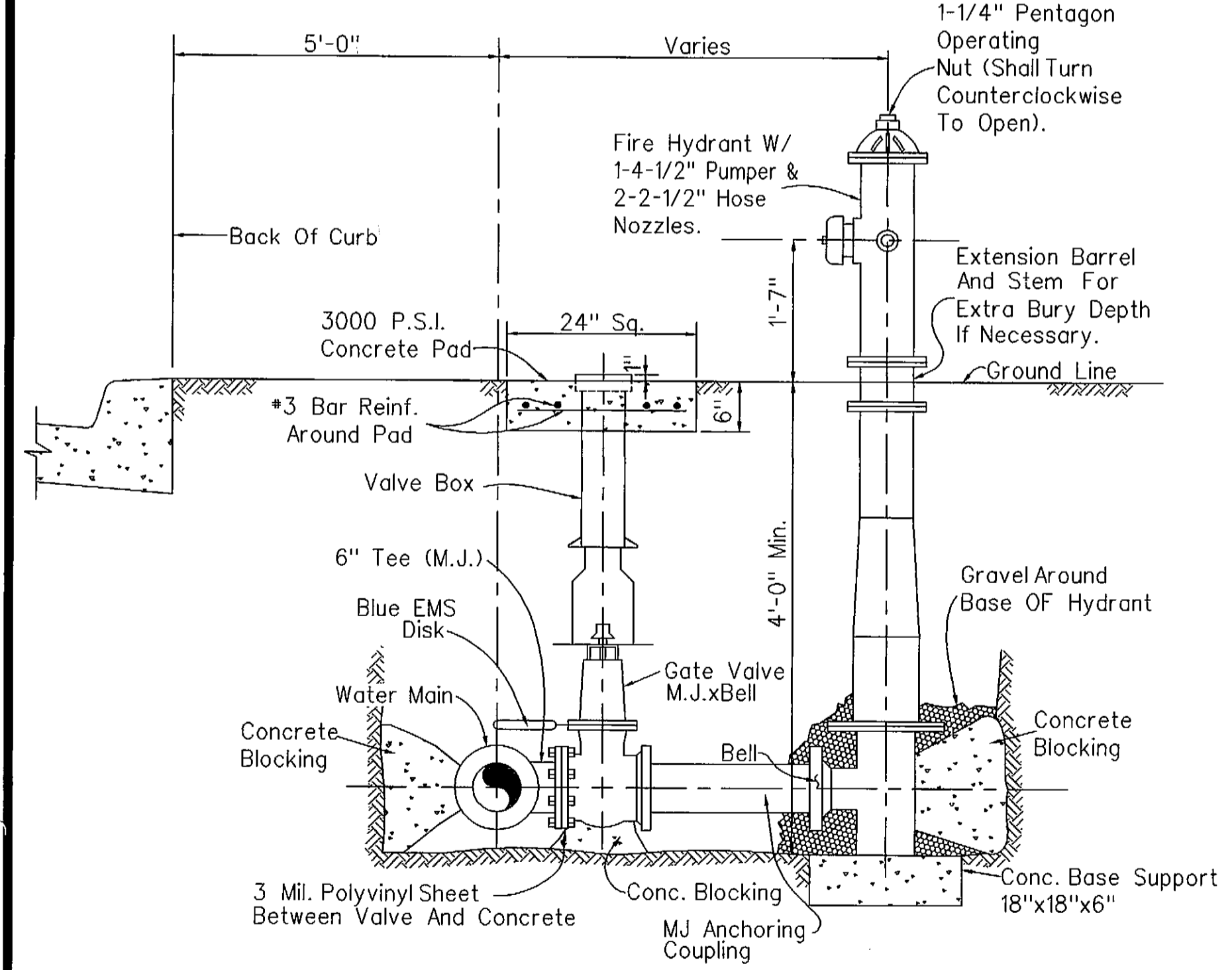


BUTTERFLY VALVE INSTALLATION AND EXTENSION STEM DETAIL
Not To Scale

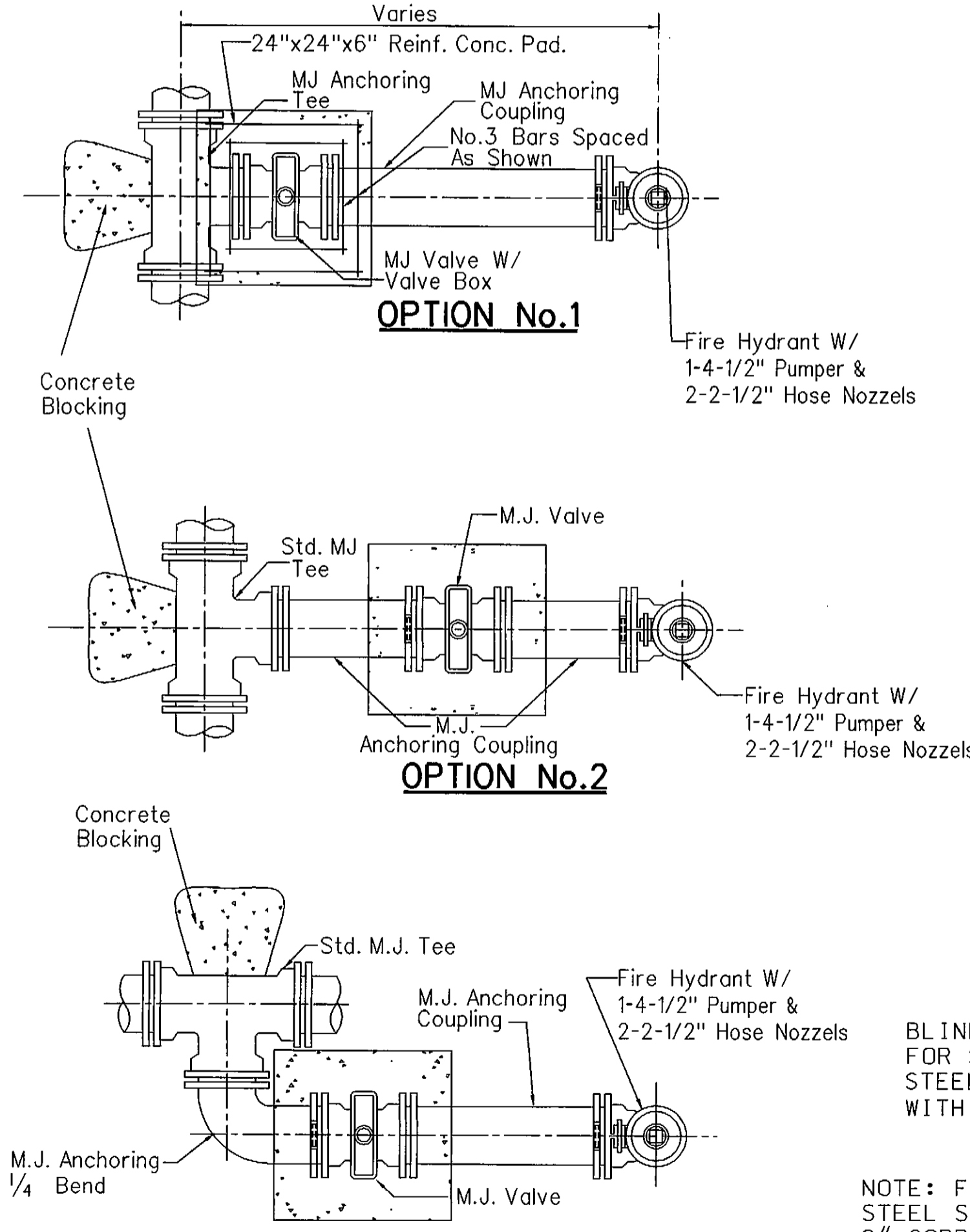
RECORD DRAWING
VERIFIED BY *Veronique*
DATE 11-27-21



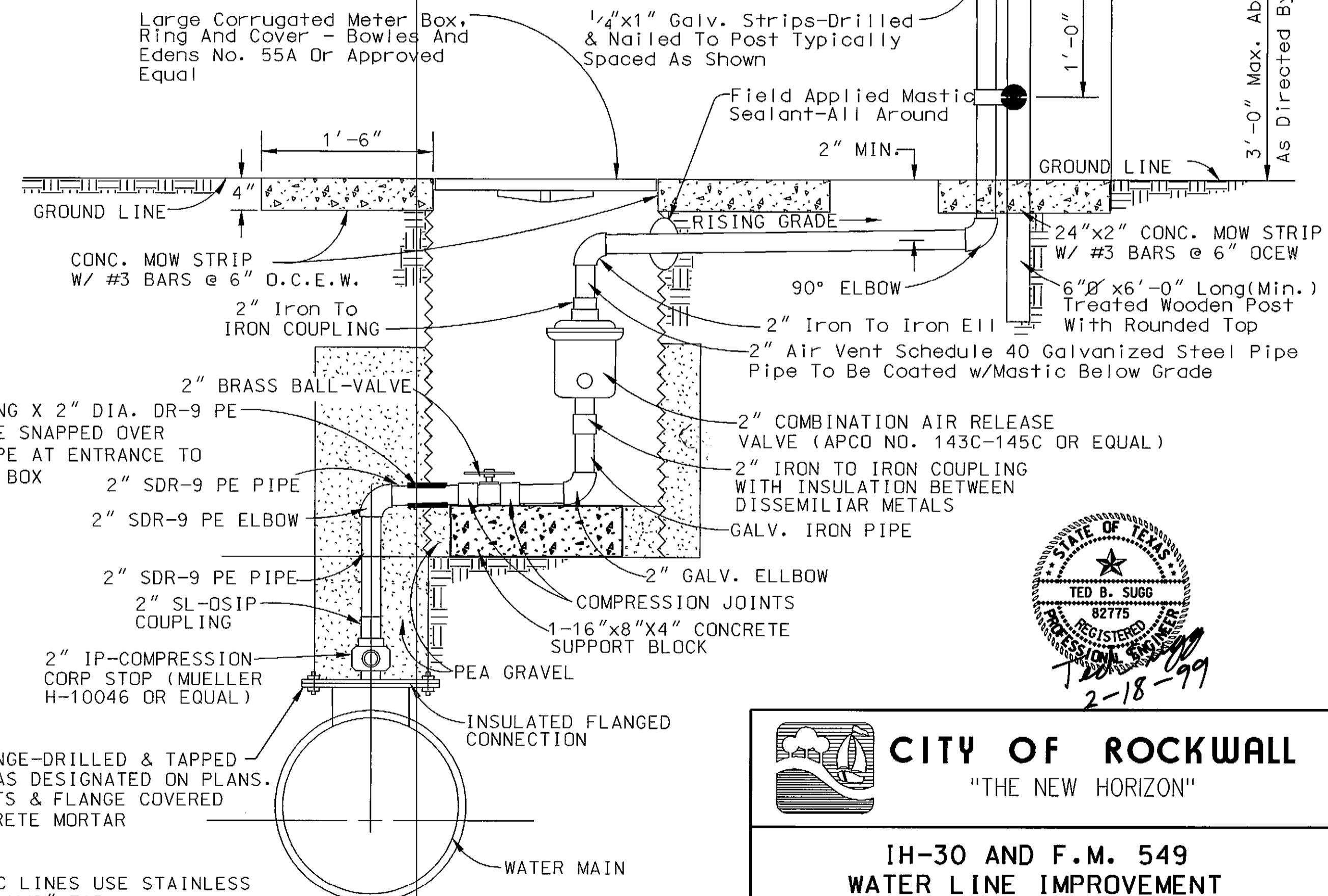
DETAIL 'A'
Not To Scale



TYPICAL FIRE HYDRANT INSTALLATION
Not To Scale

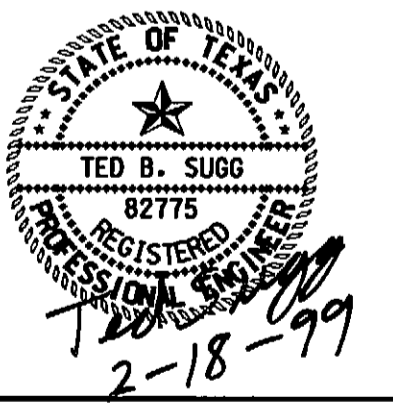


OPTION No. 3
PLAN VIEW
Not To Scale



NOTE: FOR PVC LINES USE STAINLESS STEEL SLEEVE W/2" TAP. 2" CORPORATION STOP MUELLER NO. H-15025 OR APPROVED EQUAL

AIR VALVE	VALVE	FLG. OUTLET (W)	VENT PIPE	EXPANDED METAL (X)
1"	1"	8"	1"	3"
2"	2"	8"	2"	5"
3"	3"	12"	3"	8"
4"	4"	16"	4"	10"
6"	6"	18"	6"	16"
8"	8"	18"	8"	21"



CITY OF ROCKWALL
"THE NEW HORIZON"

IH-30 AND F.M. 549
WATER LINE IMPROVEMENT

UTILITY PLAN AND PROFILE
STANDARD WATER DETAILS

TurnerCollie & Braden Inc.
ENGINEERS • PLANNERS • PROJECT MANAGERS

Unit	A103	Scale	N.T.S.	Date	FEBRUARY, 1999
Designed	TCB	Checked	DWN	Job No.	15-98925-200
Drawn	JLC	Approved	RCR	SHEET	29 OF 33

P:\ROCKWALL\IH30\DRAWINGS\DETAIL01_NEW