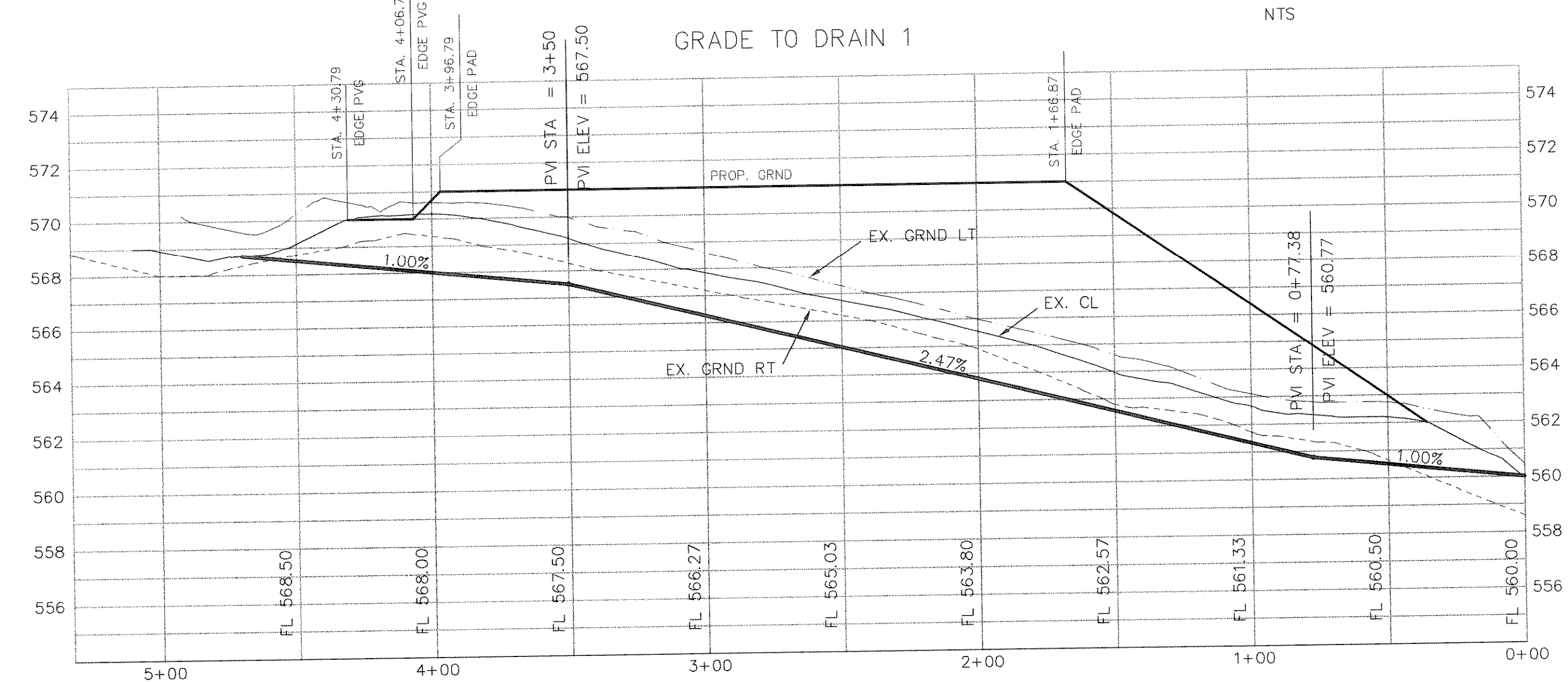
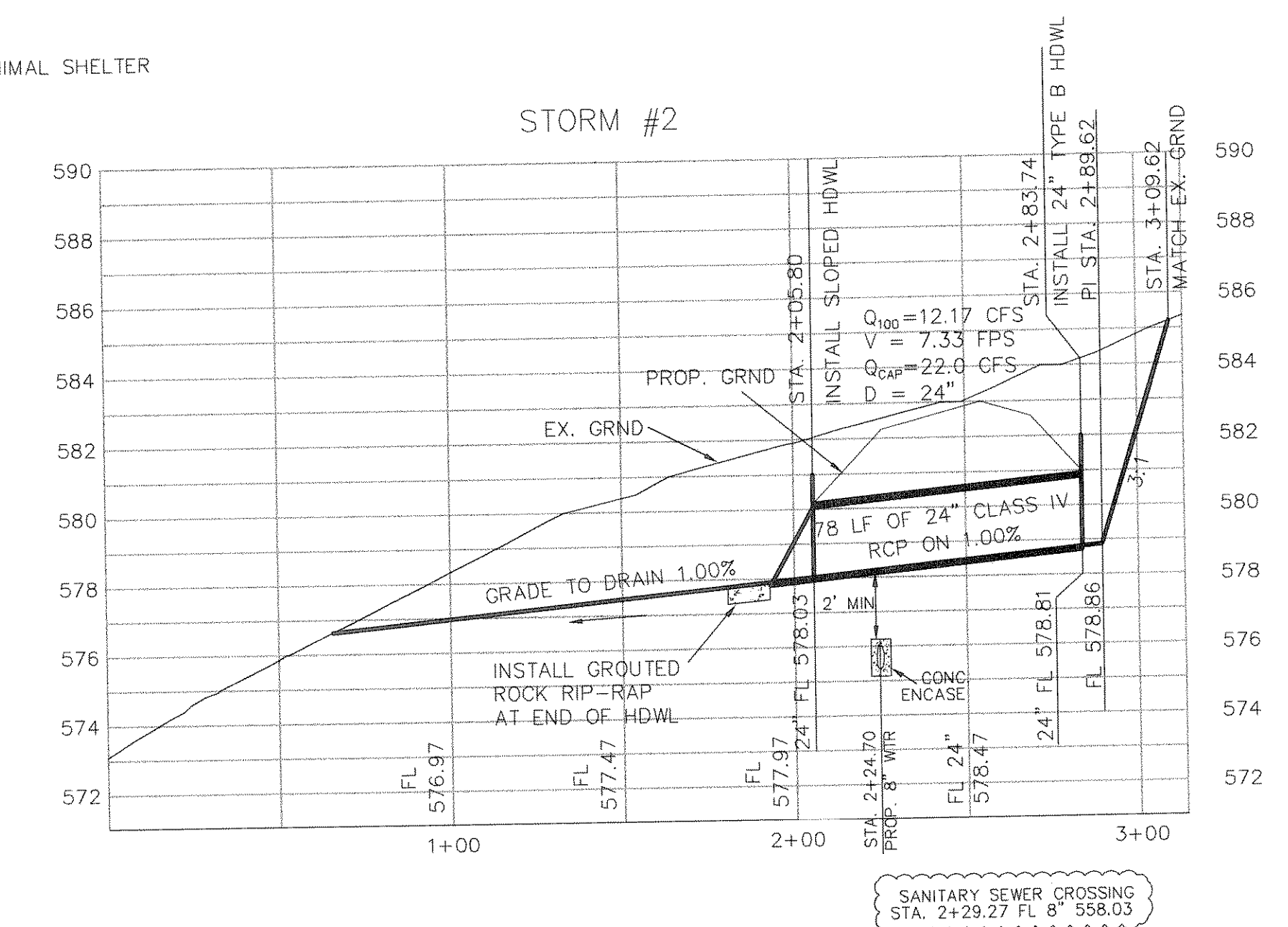
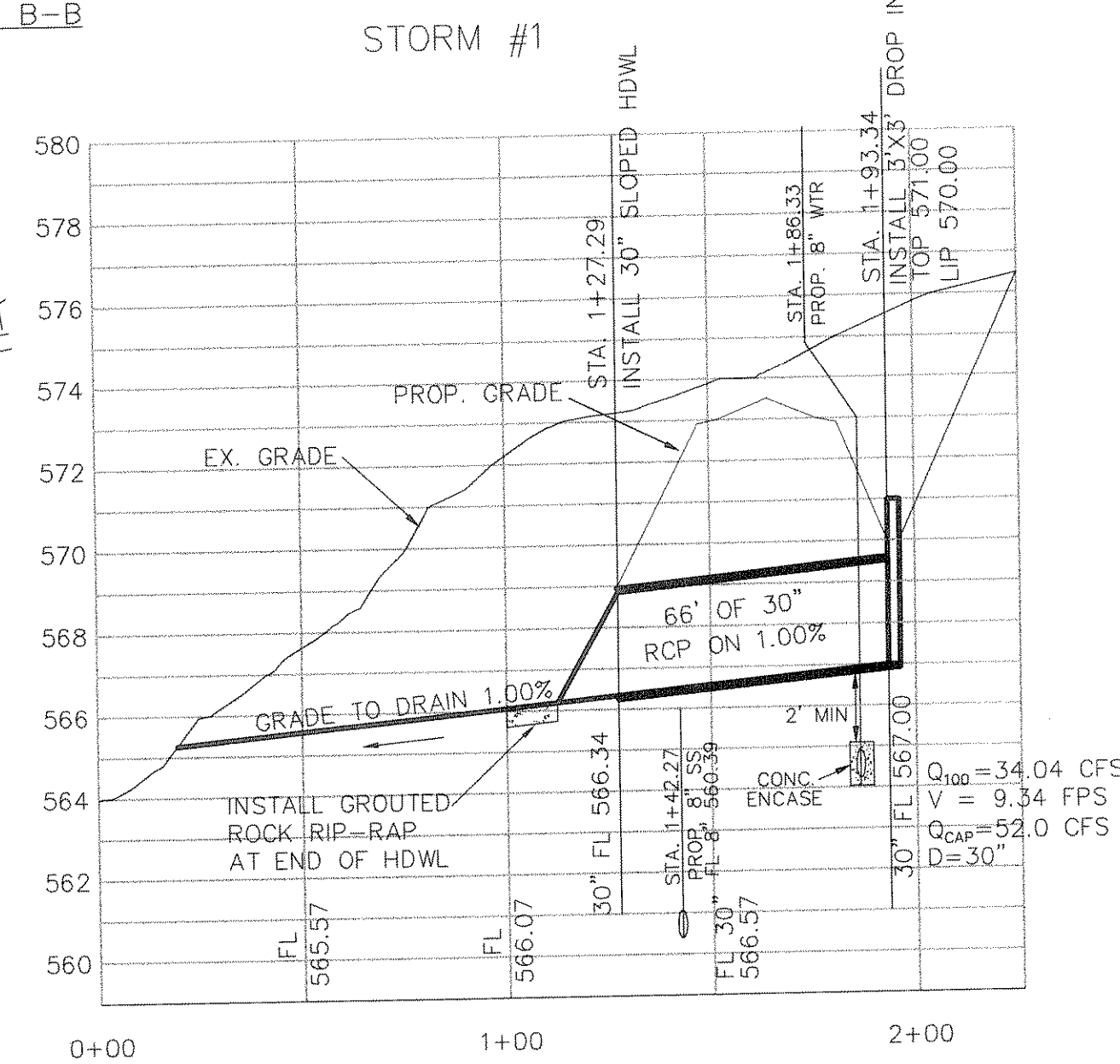
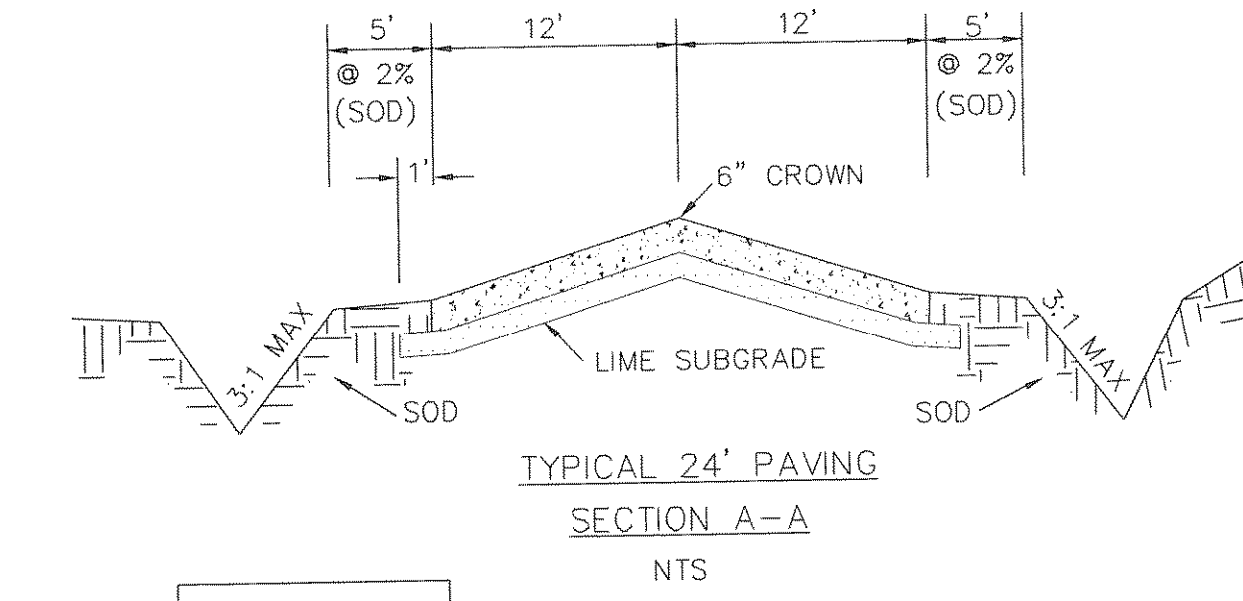
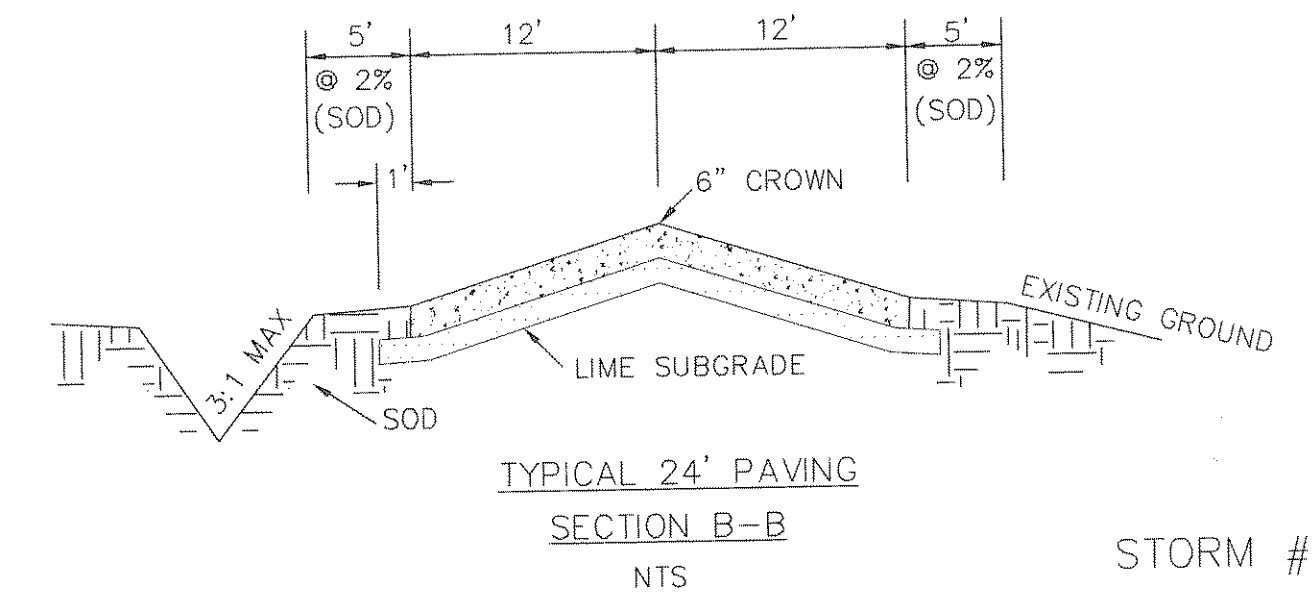


**PAVING SPECIFICATIONS**

- (A) ENTRY DRIVE:  
7"-3600 PSI CONCRETE  
NO. 3 @ 18" CENTERS  
6" LIME SUBGRADE:  
LIME @ 32LBS/SY  
6" CURB-ENTRY MEDIAN ONLY
- (B) DRIVE PAST FIRE STATION:  
7"-3600 PSI CONCRETE  
NO. 3 @ 18" CENTERS  
6" LIME SUBGRADE:  
LIME @ 32LBS/SY
- (C) DRIVE/FIRELANE FOR FIRING RANGE:  
6"-3600 PSI CONCRETE  
NO. 3 @ 18" CENTERS  
6" LIME SUBGRADE:  
LIME @ 32LBS/SY
- (D) FIRING RANGE PARKING SPACES:  
5"-3600 PSI CONCRETE  
NO. 3 @ 18" CENTERS  
6" LIME SUBGRADE:  
LIME @ 32LBS/SY

**CENTERLINE CURVE DATA**

- (C1) L=84.11  
Tan=47.26  
Δ=131°3'49"  
R=407.55
- (C2) L=262.65  
Tan=134.66  
Δ=31°09'10"  
R=483.06
- (C3) L=140.49  
Tan=73.22  
Δ=39°51'19"  
R=201.97
- (C4) L=96.63  
Tan=48.76  
Δ=18°56'24"  
R=292.33

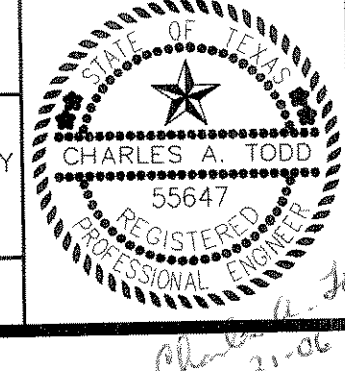


**TYPICAL GRADE TO DRAIN SECTION**  
NTS

**FIRING RANGE  
GRADING AND PAVING  
ROCKWALL, TEXAS**

**CITY OF ROCKWALL**  
"THE NEW HORIZON"

REVISION NO.	REMARKS	DATE	DESIGNED:	THE SEAL APPEARING ON THIS DOCUMENT WAS AUTHORIZED BY
1	PRKING SPACES, STRIPING, AND PAD AREA	7/31/06	A.J.W.	CHARLES A. TODD
			ACAD	NO. 55647 ON
			JOB NO.	DATE: 7/06 SHEET NO.



*Charles A. Todd*  
5-31-06