

BENCH MARKS:

BM#1 - "X" cut on the most Westerly Northwest corner of a curb inlet, West curb line of F.M. Highway 3549, ±18.0 feet East of the East property line of Tract 2 and ±5.1 feet North of the North property line of Tract 2.

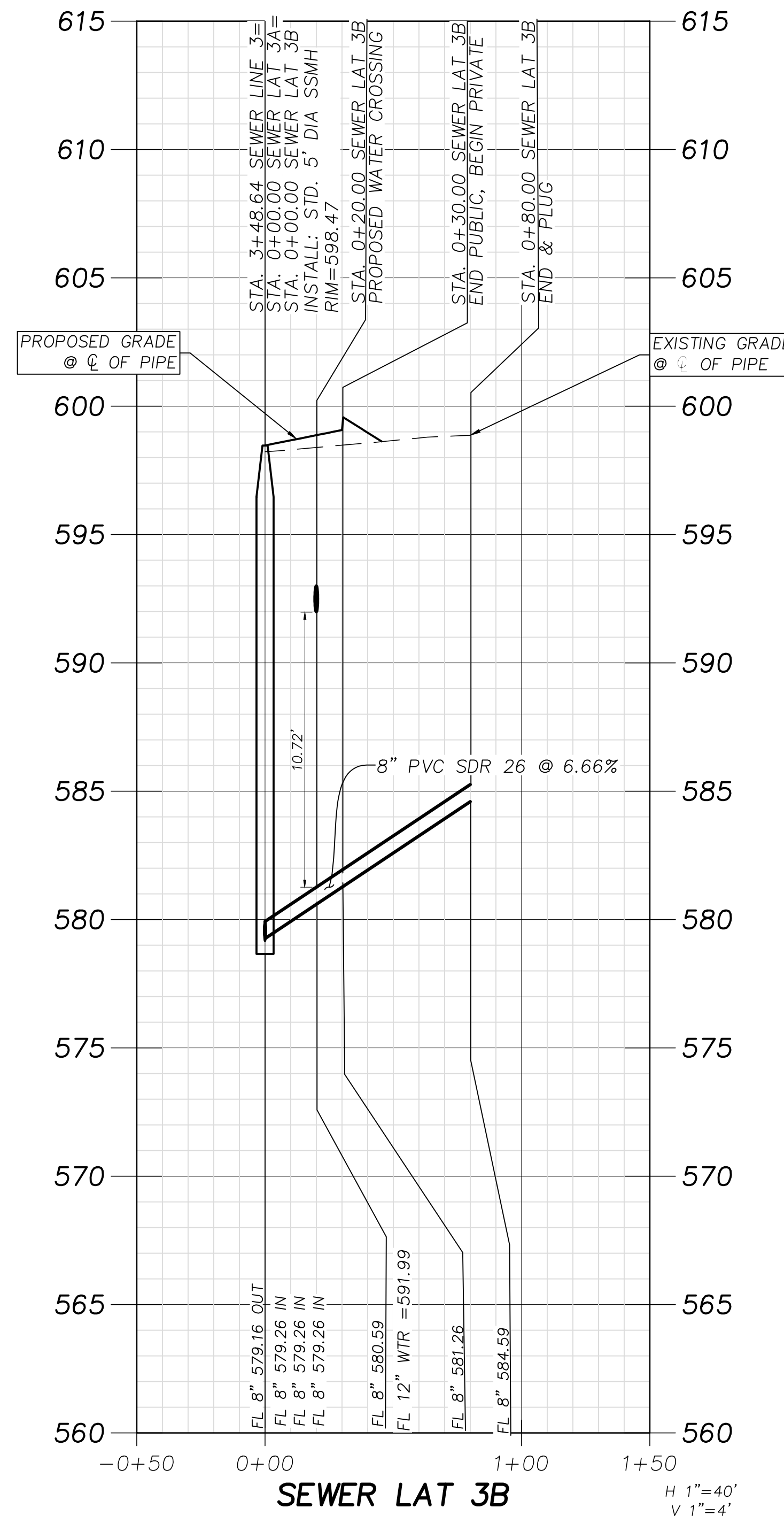
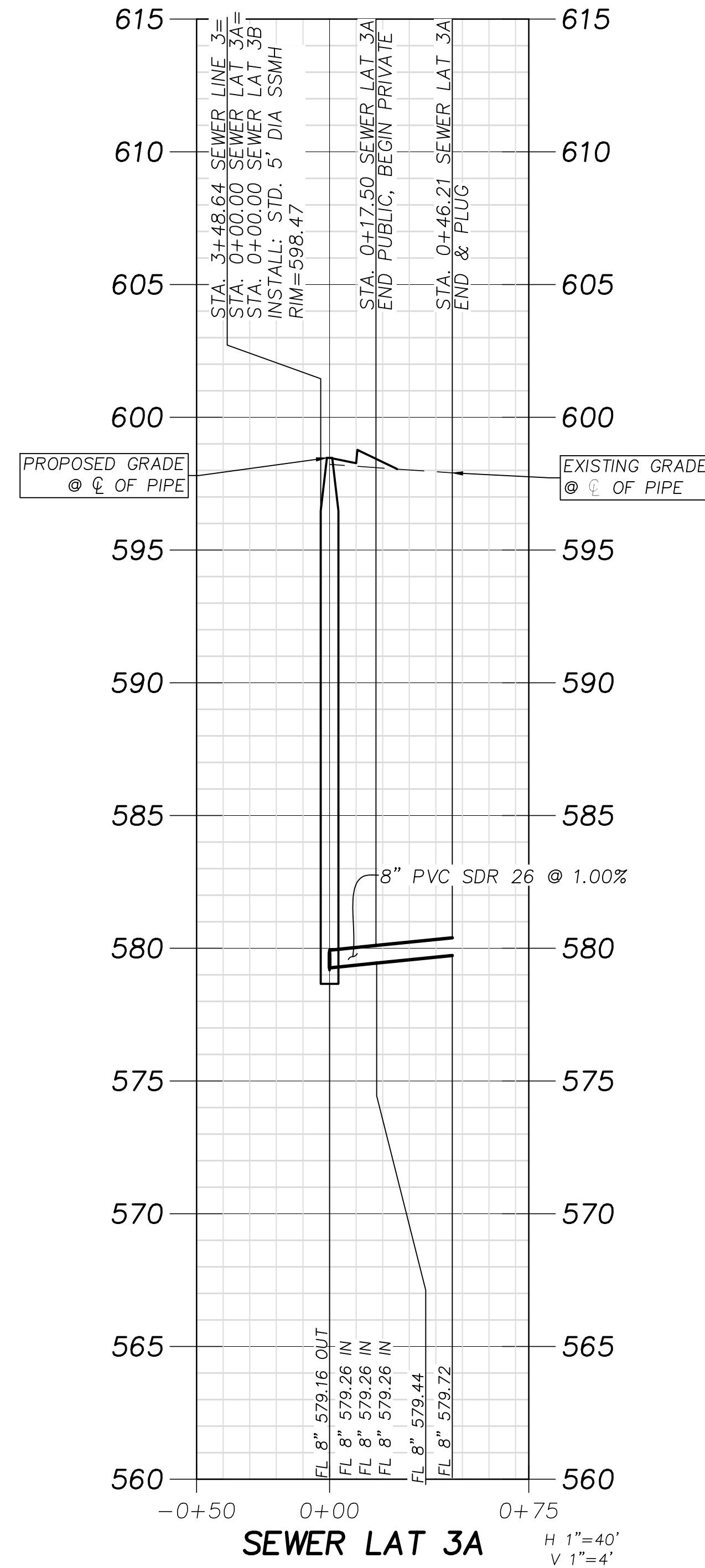
ELEVATION - 605.81 feet

BM#2 - "X" cut on the most Northerly Northwest corner of a curb inlet, West curb line of F.M. Highway 3549, ±81.2 feet East of the East property line of Tract 2 and ±27.3 feet North of the South property line of Tract 2.

ELEVATION - 593.26 feet

BM#3 - "X" cut on the most Northerly Northwest corner of a curb inlet, North curb line of Interstate Highway 30 (service road), ±10.9 feet South of the South property line and ±33.8 feet Northeast of the most Southerly Southwest corner of Tract 2.

ELEVATION - 587.31 feet



NOTES:

1. ALL RESPONSIBILITY FOR ADEQUACY OF DESIGN REMAINS WITH THE DESIGN ENGINEER. THE CITY OF ROCKWALL, IN REVIEWING AND RELEASING PLANS FOR CONSTRUCTION, ASSUMES NO RESPONSIBILITY FOR ADEQUACY OR ACCURACY OF DESIGN.
2. REFER TO CITY GENERAL CONSTRUCTION NOTES ON SHEET C-01.00 FOR WASTEWATER LINE NOTES.
3. DIMENSIONS ARE TO FACE OF CURB OTHERWISE NOTED.
4. ALL WASTEWATER WORK DESIGNATED AS "PRIVATE" IN THIS SET OF PLANS SHALL BE INSTALLED IN ACCORDANCE WITH THE INTERNATIONAL PLUMBING CODE, PERMITTED AND INSPECTED BY THE CITY BUILDING INSPECTION DEPARTMENT AND INSTALLED BY A LICENSED PLUMBER.
5. ALL WASTEWATER IS PUBLIC UNLESS NOTED AS PRIVATE

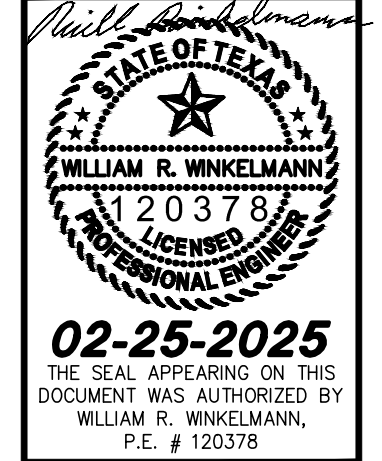
AS-BUILT

THIS RECORD DRAWING IS COMPILATION OF A COPY OF THE SEALED ENGINEERING DRAWING FOR THIS PROJECT, MODIFIED BY ADDENDA, CHANGE ORDERS, AND INFORMATION FURNISHED BY THE CONTRACTOR. THE INFORMATION SHOWN ON THE RECORD DRAWINGS THAT WAS PROVIDED BY THE CONTRACTOR OR OTHERS NOT ASSOCIATED WITH THE DESIGN ENGINEER CANNOT BE VERIFIED FOR ACCURACY OR COMPLETENESS. THE ORIGINAL SEALED DRAWING ARE ON FILE AT THE OFFICES OF WINKELMANN AND ASSOCIATES, INC.

Neil Winkelmann
WINKELMANN AND ASSOCIATES, INC. 04-20-2026
DATE

No.	DATE	REVISION	APPROV
5.			
4.			
3.			
2.			
1.			

Winkelmann & Associates, Inc.
CONSULTING CIVIL ENGINEERS ■ SURVEYORS
6750 HILGREET PLAZA DR., SUITE 215 (972) 490-7090
10000 Rockwall Road, Rockwall, TX 75087 (972) 490-7098 FAX
Texas Surveyors Registration No. 107866-00
Contract # 2024, Williamson & Associates, Inc.



SEWER PROFILE 5
I-30 FRONTAGE RD & FM 3549
ROCKWALL, TX

C-08.07