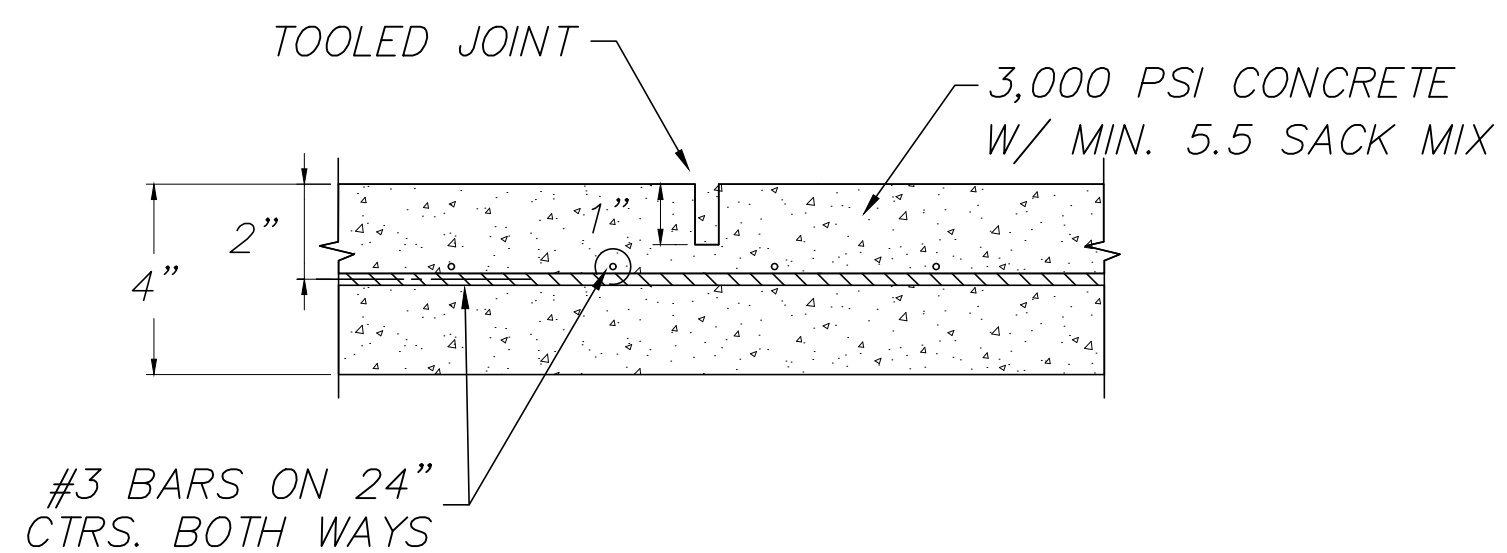


MAX. SPACING = 90' O.C.E.W.

**TYPICAL EXPANSION JOINT**

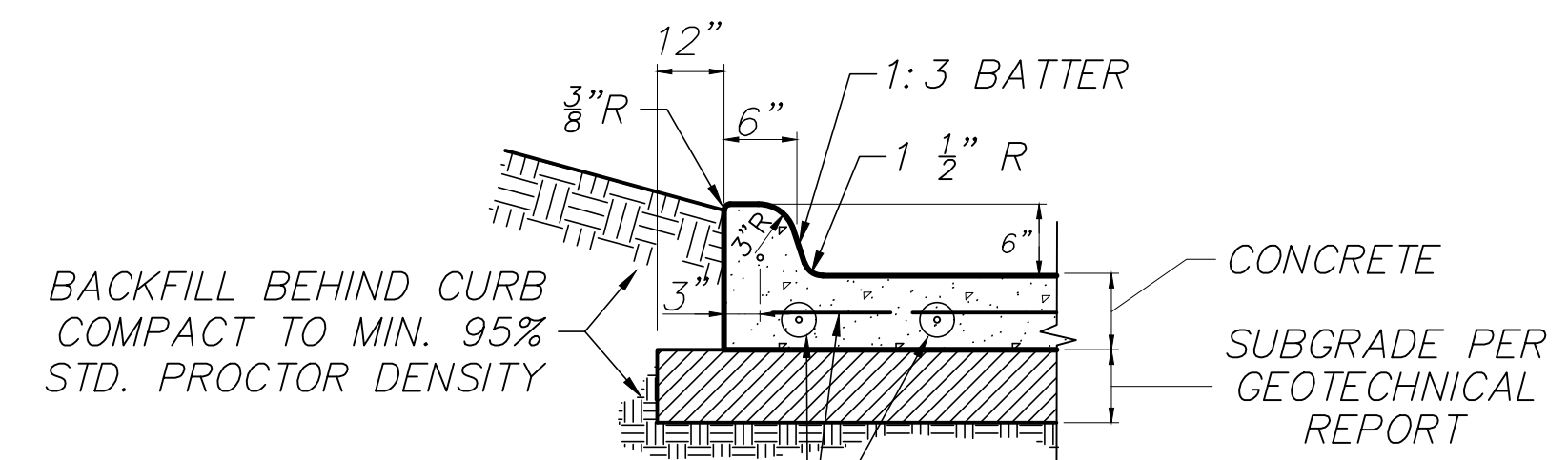
N.T.S.



MAX. SPACING = 5' O.C.E.W.

**PRIVATE SIDEWALK DETAIL**

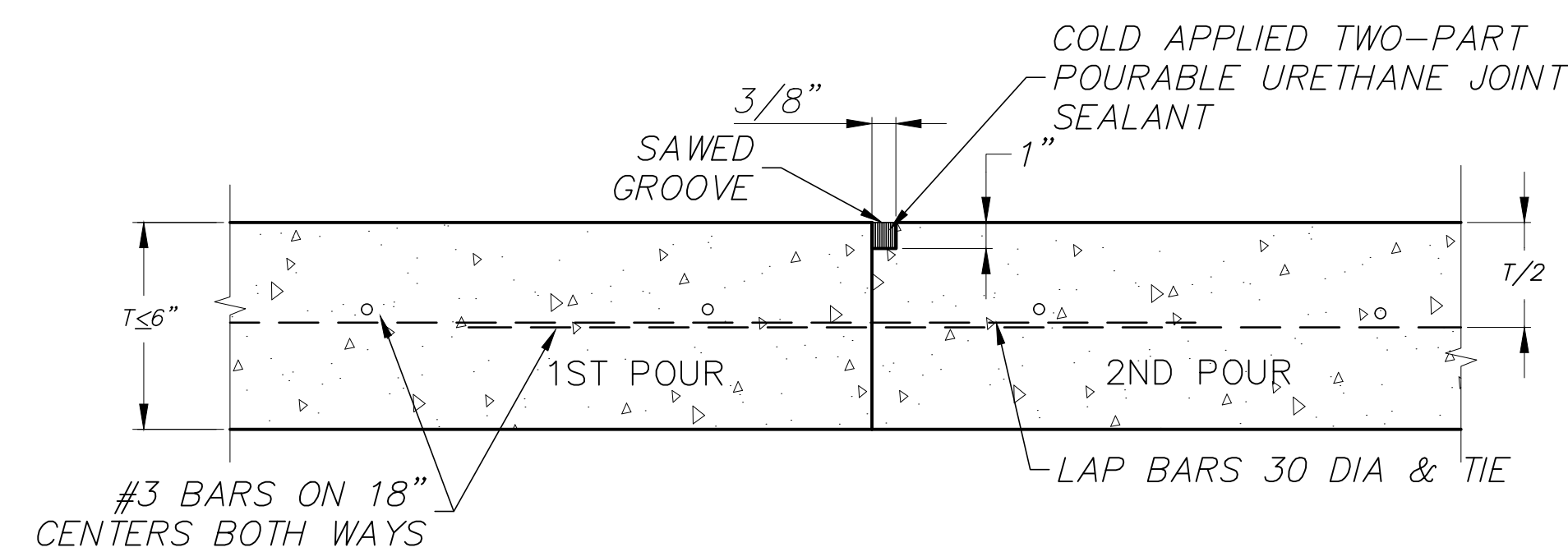
N.T.S.



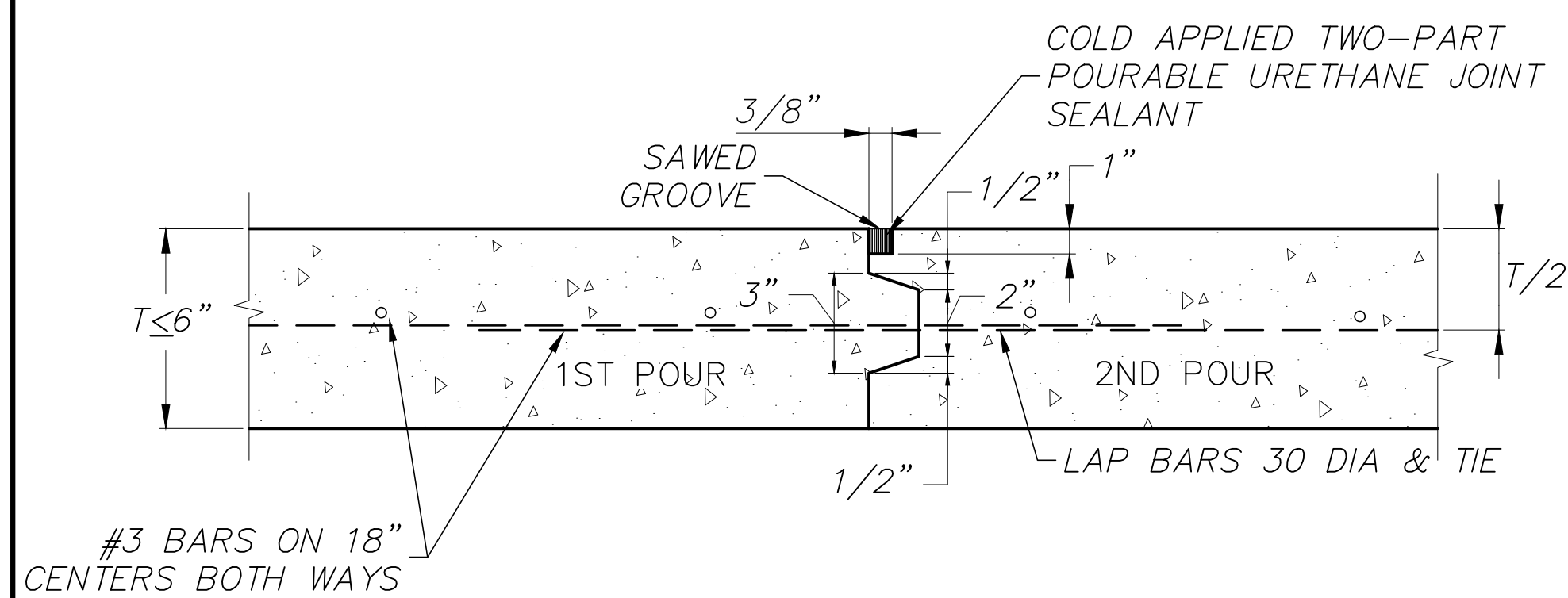
REINFORCING FOR 5-INCH AND 6-INCH PAVEMENTS SHOULD CONSIST OF THE EQUIVALENT OF #3 BARS AT 24 INCHES ON-CENTER, AND 18 INCHES ON-CENTER FRO PAVEMENTS OF 7-INCH THICKNESS OR GREATER.

**6" INTEGRAL CURB**

N.T.S.



TYPE A  
FOR PAVEMENT THICKNESS 6" AND SMALLER (OR AS SPECIFIED)



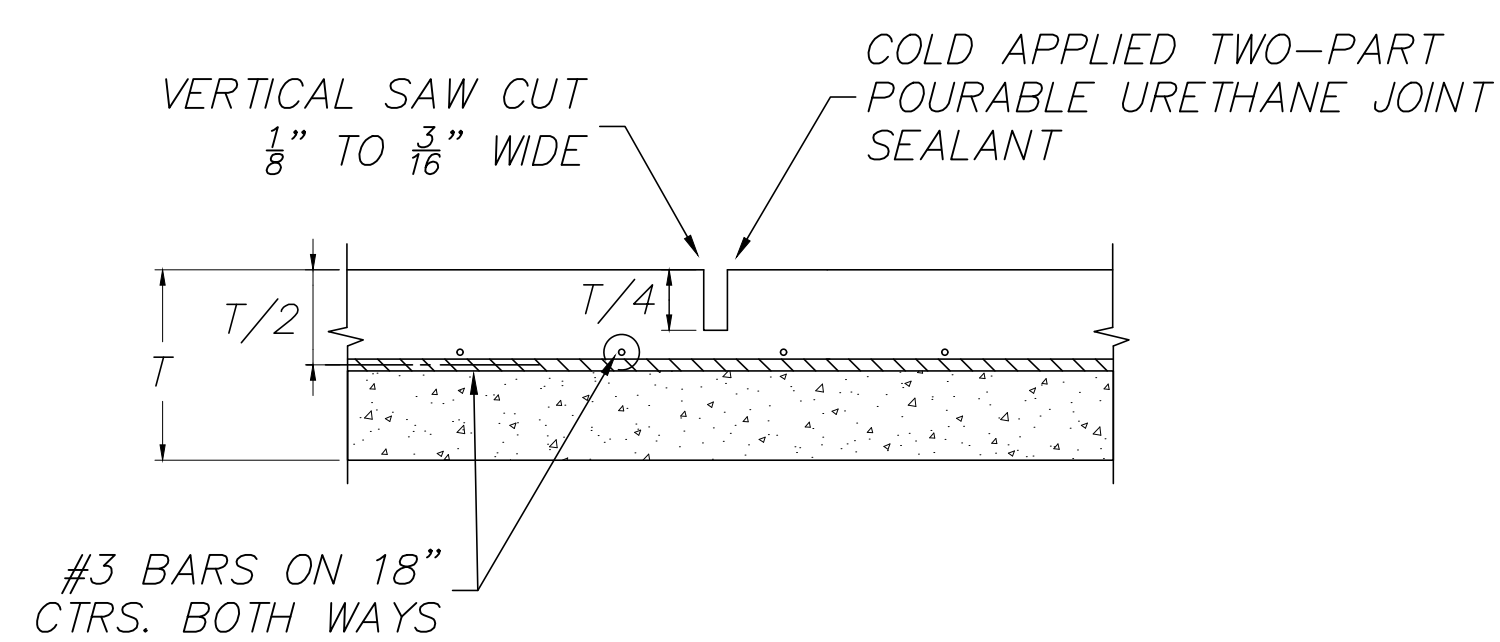
TYPE B  
FOR PAVEMENT THICKNESS GREATER THAN 6" (OR AS SPECIFIED)

**CONSTRUCTION JOINT**

N.T.S.

RELEASED FOR CONSTRUCTION  
ALL RESPONSIBILITY FOR ADEQUACY OF DESIGN REMAINS WITH THE DESIGN ENGINEER. THE CITY OF ROCKWALL, IN REVIEWING AND RELEASING PLANS FOR CONSTRUCTION, ASSUMES NO RESPONSIBILITY FOR ADEQUACY OR ACCURACY OF DESIGN.

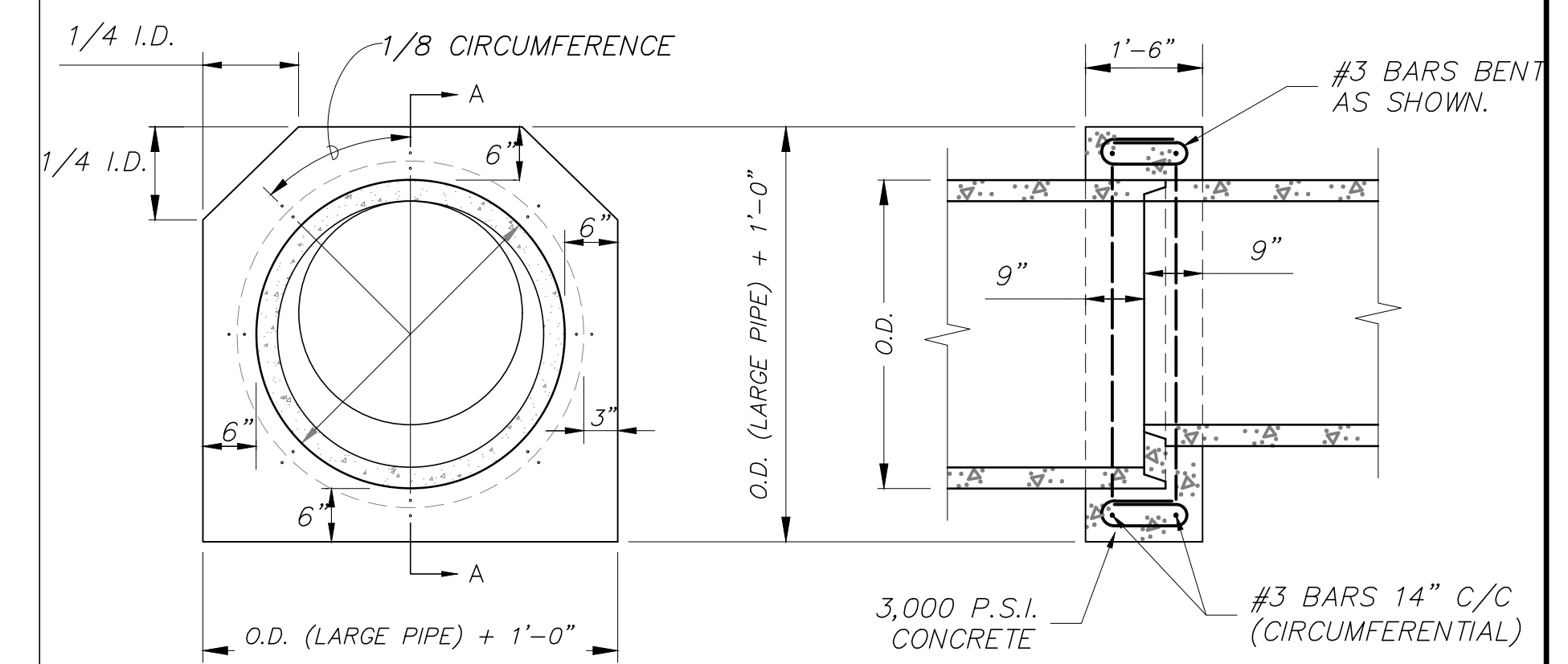
CITY \_\_\_\_\_ DATE \_\_\_\_\_



MAX. SPACING = 15' O.C.E.W.

**SAWED DUMMY JOINT**

N.T.S.



**CONCRETE COLLAR DETAIL (PIPE)**

N.T.S.

No.	DATE	REVISION	APPROVAL
5.			
4.			
3.			
2.			
1.			

**Winkelmann & Associates, Inc.**  
CONSULTING CIVIL ENGINEERS & SURVEYORS  
6750 HILGREET PLAZA DR., SUITE 215  
ROCKWALL, TEXAS 75087  
(972) 960-7090  
(972) 960-7099 FAX  
Texas Surveyors Registration No. 89  
Professional Engineer Registration No. 100866-00  
Contractor License No. 100866-00  
Winkelmann & Associates, Inc.

STATE OF TEXAS  
WILLIAM R. WINKELMANN  
120378  
02-25-2025  
THE SEAL APPEARING ON THIS DOCUMENT WAS AUTHORIZED BY WILLIAM R. WINKELMANN, P.E. # 120378

**PRIVATE CIVIL DETAILS (1)**  
I-30 FRONTAGE RD & FM 3549  
ROCKWALL, TX

**C-12.00**